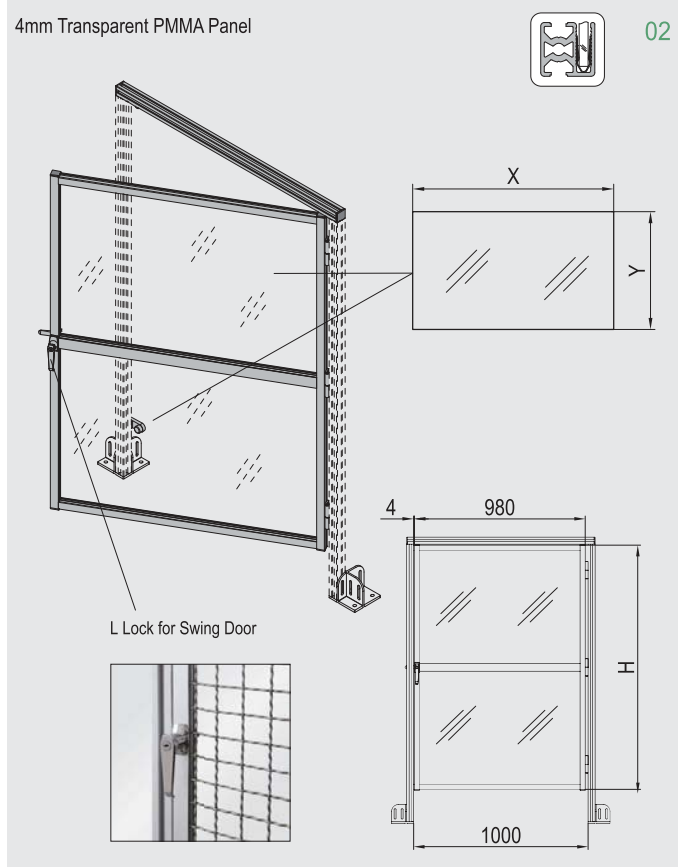
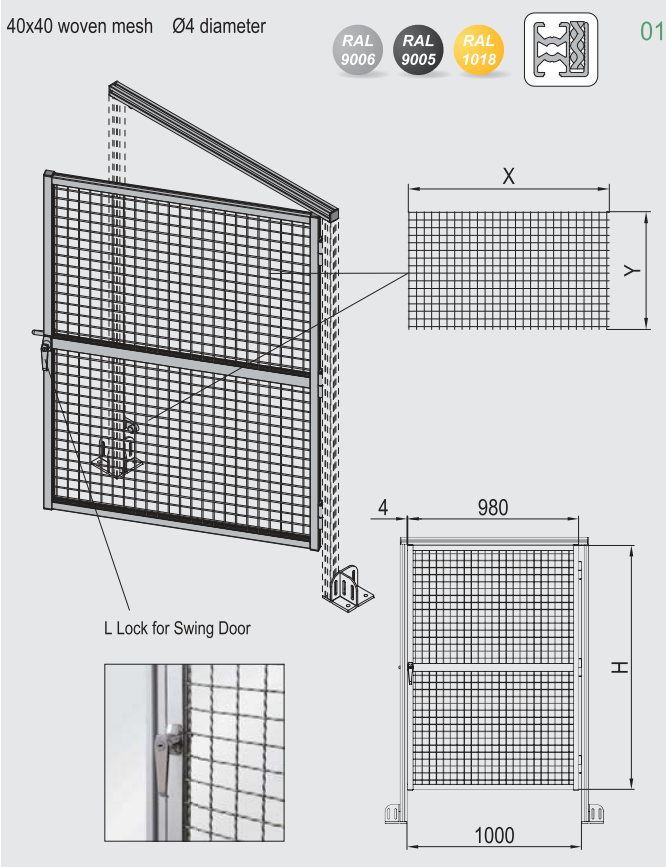


Swing Door

Swing Door for Protective Grille Unit-Economical

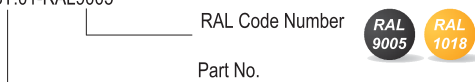


Description	H (mm)	X (mm)	Y (mm)	Mass (kg)	Part No.(R)	Part No.(L)
Protective Grille Unit-Economical-PG30-01	1400	970	693	16.2	PNDH.30.1400.ST.01.E	PNDH.30.1400.ST.01.L.E
	1800		893	17.5	PNDH.30.1800.ST.01.E	PNDH.30.1800.ST.01.L.E
Protective Grille Unit-Economical-PG30-02	1400	968	689	16	PNDH.30.1400.ST.02.E	PNDH.30.1400.ST.02.L.E
	1800		889	17.3	PNDH.30.1800.ST.02.E	PNDH.30.1800.ST.02.L.E
Protective Grille Unit-Economical-PG40-01	1400	950	680	18.4	PNDH.40.1400.ST.01.E	PNDH.40.1400.ST.01.L.E
	1800		880	21.5	PNDH.40.1800.ST.01.E	PNDH.40.1800.ST.01.L.E
Protective Grille Unit-Economical-PG40-02	1400	948	678	18.3	PNDH.40.1400.ST.02.E	PNDH.40.1400.ST.02.L.E
	1800		878	21.3	PNDH.40.1800.ST.02.E	PNDH.40.1800.ST.02.L.E

Item Number Reference:

The part number is for gray woven mesh in the default configuration, please specify with RAL code if other color is required, such as RAL9005 for black, RAL1018 for yellow.

ex: PNDH.30.1400.ST.01-RAL9005



Associated kits (To be ordered separately)



Strut Elements (One end of strut profile need to be tapping M14x30 screw)

..... Page 19-24



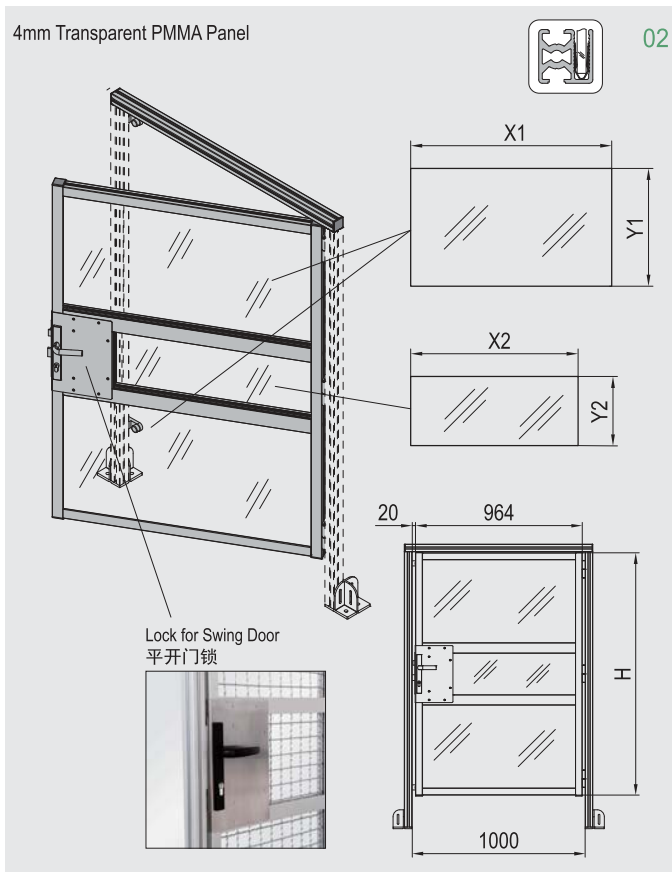
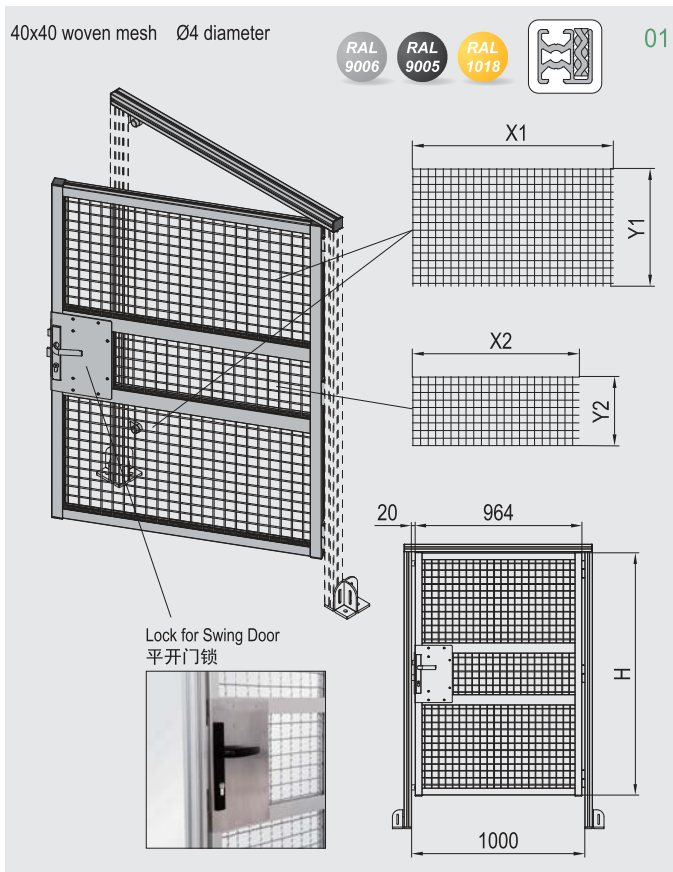
Door Shutter (One end of strut profile need to be tapping M14x30 screw)

..... Page 42



Swing Door

Swing Door for Protective Grille Unit

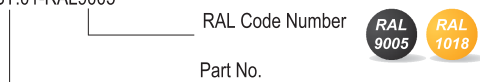


Description	H (mm)	X1 (mm)	Y1 (mm)	X2 (mm)	Y2 (mm)	Mass (kg)	Part No.(R)	Part No.(L)
Protective Grille Unit-PG30-01	1400	954	543	769	295	22.5	PNDH.30.1400.ST.01	PNDH.30.1400.ST.01.L
	1800		743			25.7	PNDH.30.1800.ST.01	PNDH.30.1800.ST.01.L
Protective Grille Unit-PG30-02	1400	952	539	767	290	22.4	PNDH.30.1400.ST.02	PNDH.30.1400.ST.02.L
	1800		739			25.5	PNDH.30.1800.ST.02	PNDH.30.1800.ST.02.L
Protective Grille Unit-PG40-01	1400	934	530	754	290	24.7	PNDH.40.1400.ST.01	PNDH.40.1400.ST.01.L
	1800		730			27.8	PNDH.40.1800.ST.01	PNDH.40.1800.ST.01.L
Protective Grille Unit-PG40-02	1400	932	528	752	288	24.6	PNDH.40.1400.ST.02	PNDH.40.1400.ST.02.L
	1800		728			27.7	PNDH.40.1800.ST.02	PNDH.40.1800.ST.02.L

Item Number Reference:

The part number is for gray woven mesh in the default configuration, please specify with RAL code if other color is required, such as RAL9005 for black, RAL1018 for yellow.

ex: PNDH.30.1400.ST.01-RAL9005



Associated kits (To be ordered separately)



Strut Elements (One end of strut profile need to be tapping M14x30 screw)

..... Page 19-24



Door Shutter (One end of strut profile need to be tapping M14x30 screw)

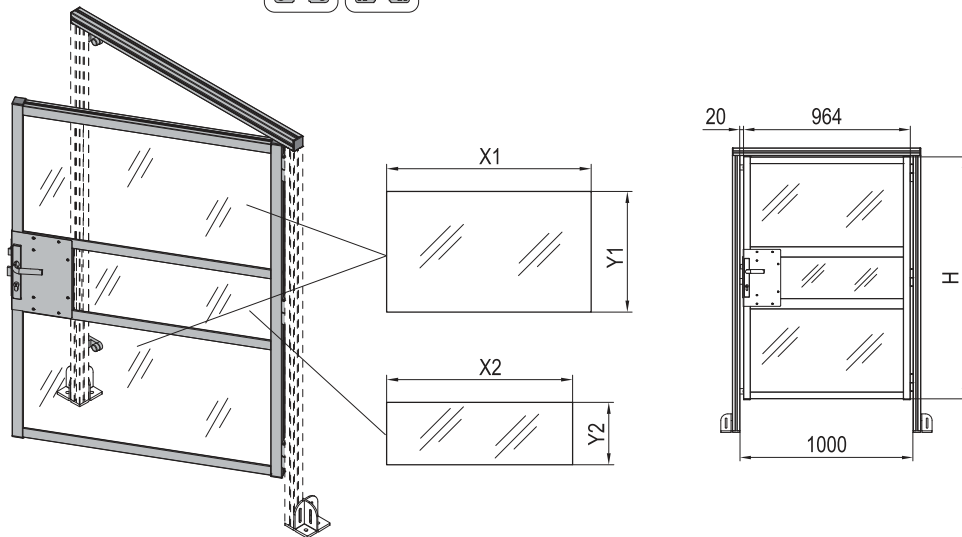
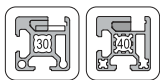
..... Page 42



Swing Door

Swing Door for Clamping Profile Unit

4mm Transparent PMMA Panel



Description	H (mm)	X1 (mm)	Y1 (mm)	X2 (mm)	Y2 (mm)	Mass (kg)	Part No.(R)	Part No.(L)
Clamping Profile Unit-PG30	1400	918	519	733	284	18.9	PPDH.30.1400.ST	PPDH.30.1400.ST.L
	1800		719			21.5	PPDH.30.1800.ST	PPDH.30.1800.ST.L
Clamping Profile Unit-PG40	1400	904	510	724	280	27.8	PPDH.40.1400.ST	PPDH.40.1400.ST.L
	1800		710			31.3	PPDH.40.1800.ST	PPDH.40.1800.ST.L

Associated kits (To be ordered separately)



Strut Elements (One end of strut profile need to be tapping M14x30 screw)

..... Page 19-24



Door Shutter (One end of strut profile need to be tapping M14x30 screw)

..... Page 42

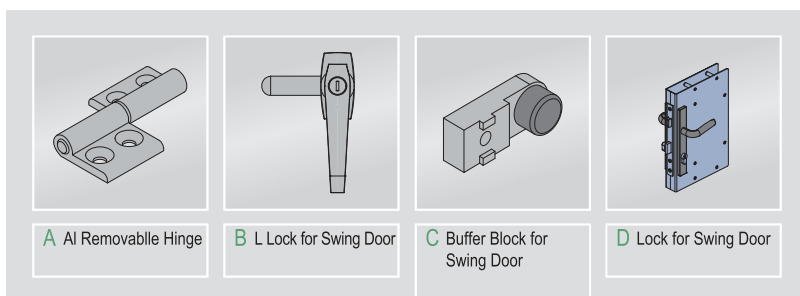
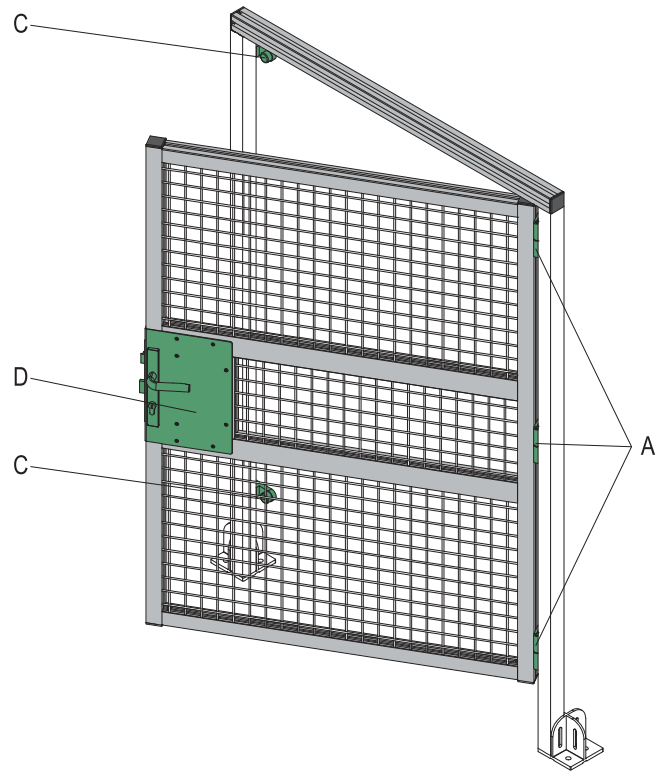
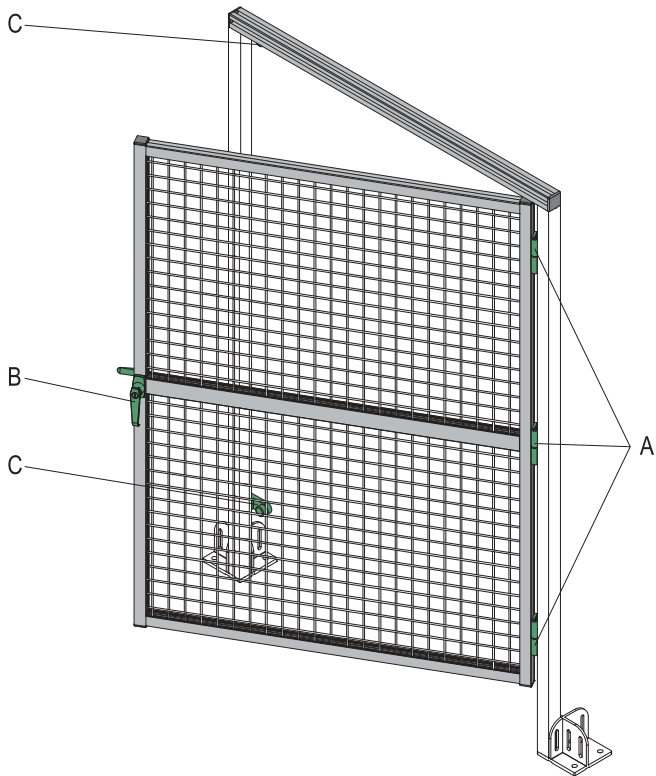


Components for Swing Door

Swing Door are normally composed of A,B and C as shown in the below figure.

Swing Door for Protective Grille Unit-Economical

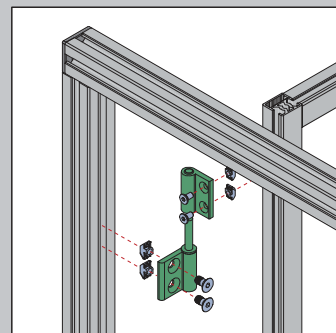
Swing Door for Protective Grille Unit





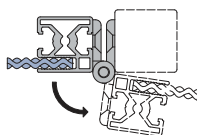
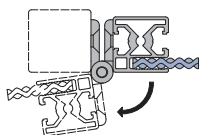
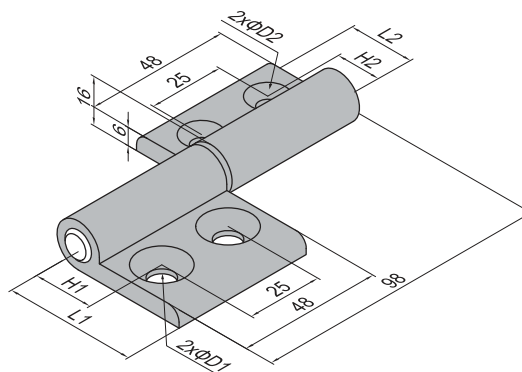
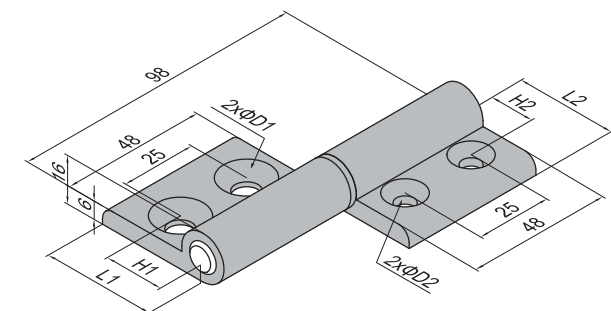
AI Removable Hinge

Material and Color: aluminum alloy, nature anodized



AI Removable Hinge-L

AI Removable Hinge-R



FF	Fastening Set	FG	Fastening Set
	M6x12 Bolt zinc plated		M6x16 Bolt zinc plated
	M6 T Nut nickel plated		M8 T Nut nickel plated

Description	H1 (mm)	H2 (mm)	L1 (mm)	L2 (mm)	D1 (mm)	D2 (mm)	Fastening Set	Mass (g)	Part No.(L)	Part No.(R)
Protective Grille Unit-30/40 (set)	20	20	28	38	6.5	8.5	2xFF+2xFG	158	7.26.30.40.ST.SM	7.27.30.40.ST.SM
Protective Grille Unit-45/45 (set)	22.5	22.5	38	38	8.5	8.5	4xFG	186	7.26.45.45.ST	7.27.45.45.ST
Clamping Profile Unit-30/40 (set)	20	15	38	28	8.5	6.5	2xFF+2xFG	158	7.26.30.40.ST	7.27.30.40.ST
Clamping Profile Unit-40/45 (set)	22.5	20	38	38	8.5	8.5	4xFG	186	7.26.40.45.ST	7.27.40.45.ST

Modular Assembly System

MAS

Machine Guard System

MGS

Stair and Platform System

SPS

Tubular Framing System

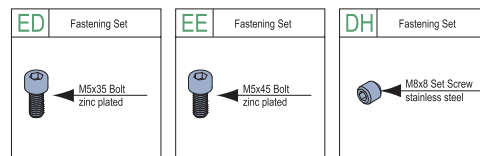
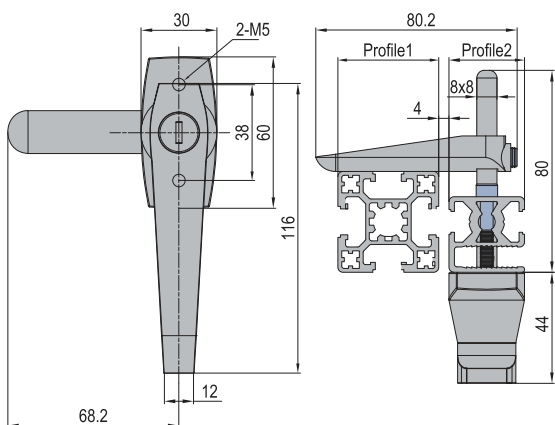
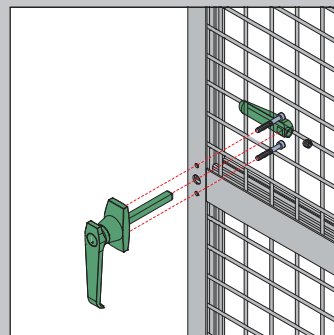
TFS





L Lock for Swing Door

Material and Color: zinc alloy, polish finish

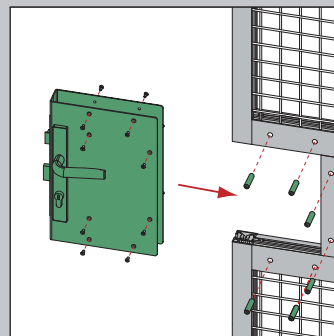


Description	Profile 1	Profile 2	Fastening Set	Mass (g)	Part No.
L Lock for Swing Door-PG30	40x40L	30X30	1xDH+2xED	294	7.32.30.30.P
L Lock for Swing Door-PG40	45x45L	40X40	1xDH+2xEE	297	7.32.40.40.P



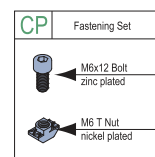
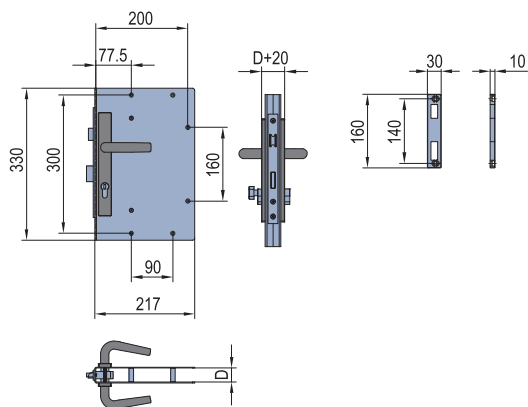
Lock for Swing Door

Material and Color: Lock Body: stainless steel
Lock Slot: aluminum



Lock Body

Lock Slot



Description	D (mm)	Fastening Set	Mass (g)	Part No.
Lock for Swing Door-PG30	30	2xCP	4100	PNDH30.LK
Lock for Swing Door-PG40	40		4800	PNDH40.LK

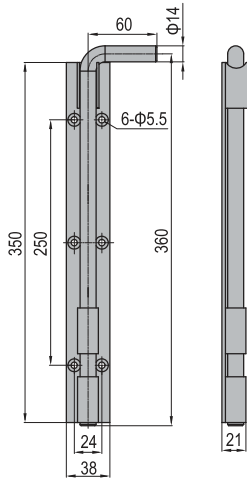
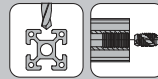
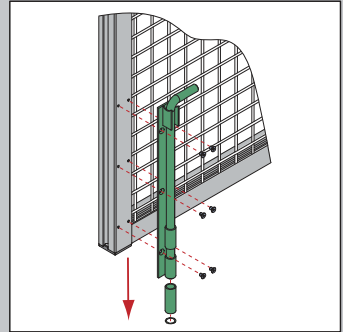




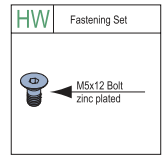
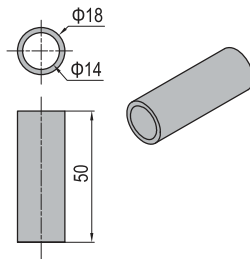
Ground Latch

Ground Latch is used to lock the door on the ground and make the door not opened optionally.

Material: zinc plated steel



Bushing



Description	Fastening Set	Mass (g)	Part No.
Ground Latch-PG40 (set)	6xHW	930	PNDH40.LG.ST

Modular Assembly System

MAS

Machine Guard System

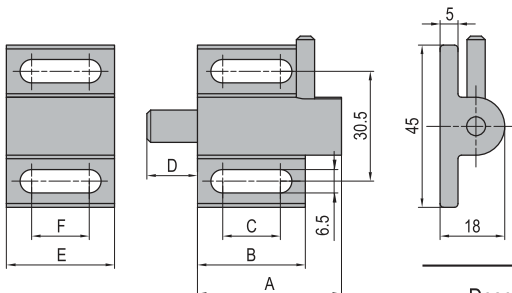
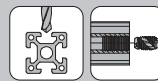
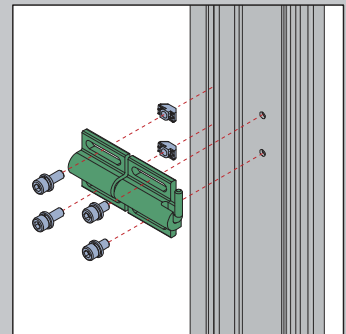
MGS



Door Latch

Door Latch is used to fix and lock the door to make sure the door cannot opened optionally.

Material: Door Latch: aluminum Latch Rod: stainless steel



GG Fastening Set	GH Fastening Set	GF Fastening Set	AH Fastening Set
M6x12 Bolt zinc plated	M6x16 Bolt zinc plated	M6x16 Bolt zinc plated	M6x20 Bolt zinc plated
M6 Spring Washer zinc plated	M6 Spring Washer zinc plated	M6 Spring Washer zinc plated	M6 Spring Washer zinc plated
M6 Washer zinc plated	M6 Washer zinc plated	M6 Washer zinc plated	M6 Washer zinc plated
M6 Washer zinc plated	M5 Washer zinc plated	M5 Washer zinc plated	M6 T Nut nickel plated

Description	Fastening Set	A (mm)	B (mm)	C (mm)	D (mm)	E (mm)	F (mm)	Mass (g)	Part No.
Door Latch-PG30	2xGG+2xGF	40	30	16	14	30	16	97	PNDH30.LD.ST
Door Latch-PG40	2xGH+2xAH	50	40	26	17	40	26	129	PNDH40.LD.ST

Stair and Platform System

SPS

Tubular Framing System

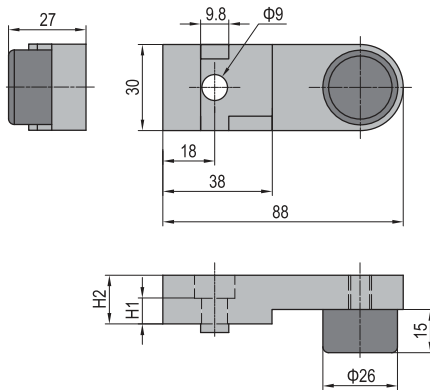
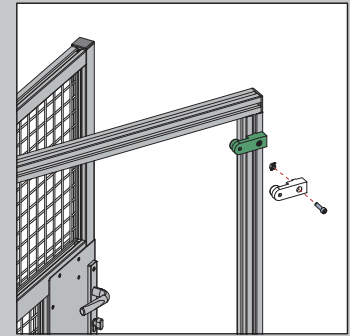
TFS





Buffer Block for Swing Door

Material: aluminum alloy



CC	Fastening Set	CD	Fastening Set
	M6x20 Bolt zinc plated		M6x25 Bolt zinc plated
	M6 T Nut nickel plated		M6 T Nut nickel plated

Description	H1 (mm)	H2 (mm)	Fastening Set	Mass (g)	Part No.
Buffer Block for Swing Door-PG30	9	17	1xCC	112	PNDH30.BB
Buffer Block for Swing Door-PG40	14	22	1xCD	121	PNDH40.BB

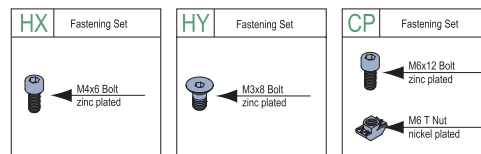
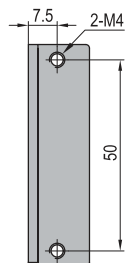
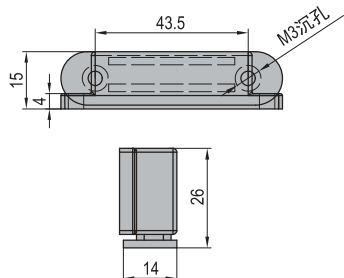
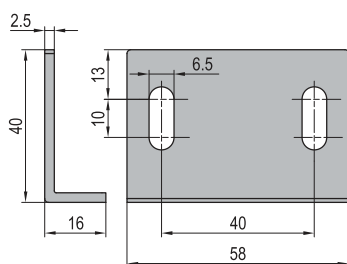
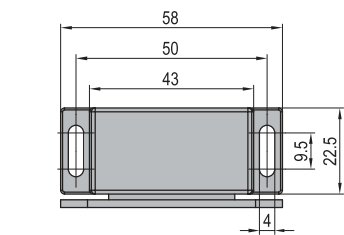
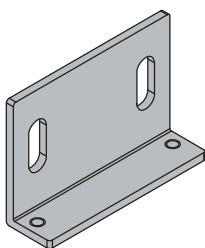
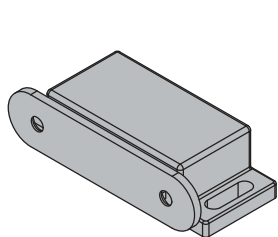
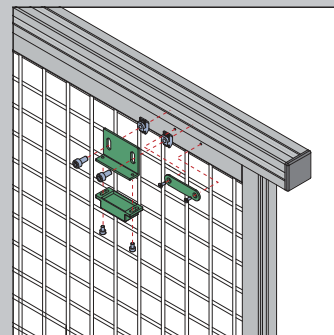




Doormagnet

Doormagnet has the function of absorption and fixation which cannot make the door opened optionally.

Material: Doormagnet-stainless steel
Connector-zinc plated steel

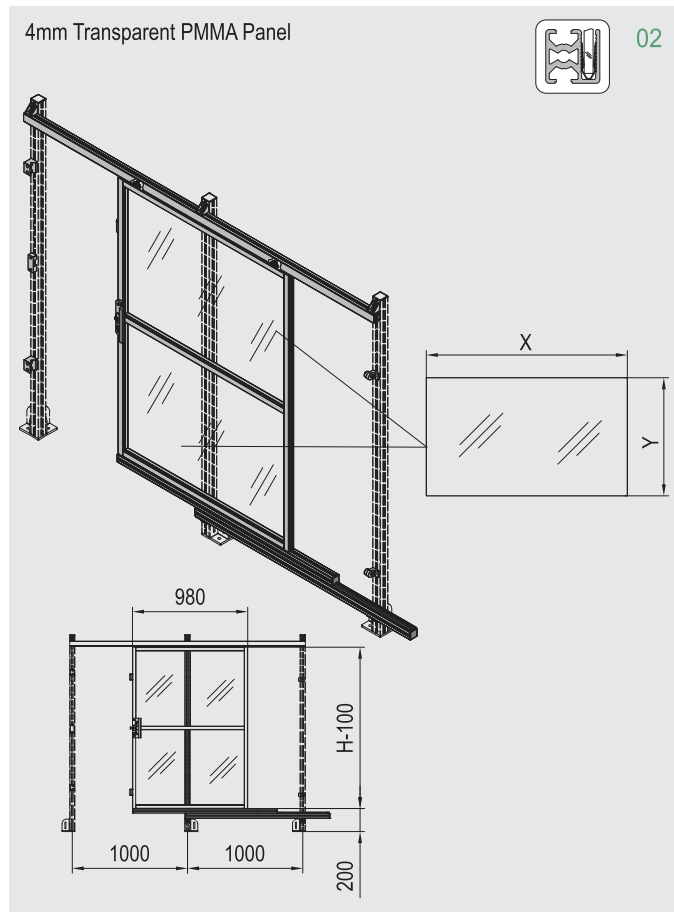
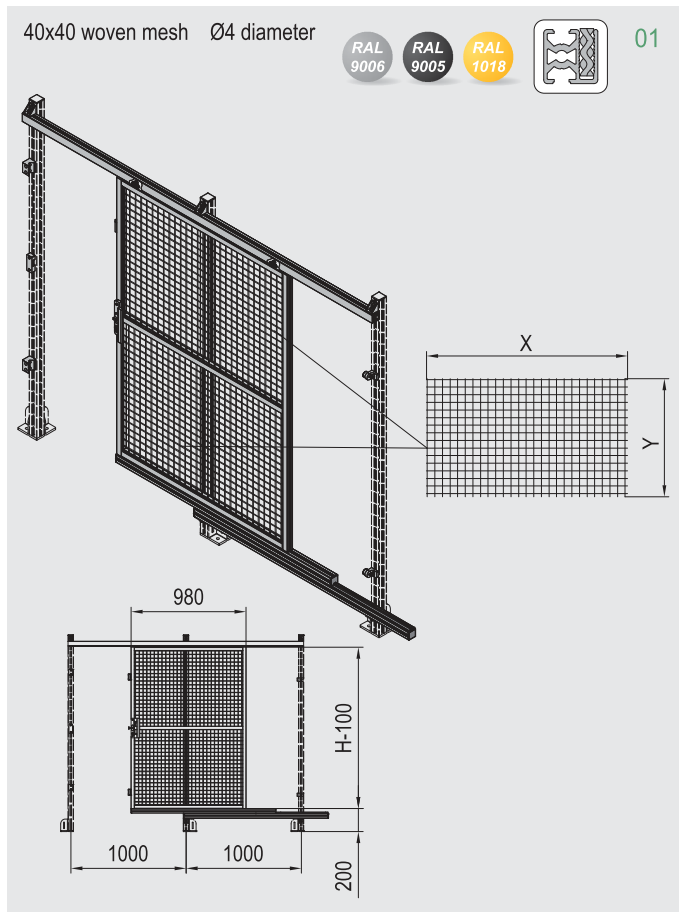


Description	Fastening Set	Mass (g)	Part No.
Doormagnet (pcs)		61	PNDH.DM
Doormagnet (set)	2xHX+2xHY+2xCP	133	PNDH.DM.ST



Sliding Door

Sliding Door for Protective Grille Unit

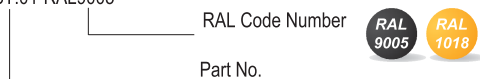


Description	H(mm)	X(mm)	Y(mm)	Mass (kg)	Part No.(R)	Part No.(L)
Protective Grille Unit-PG30-01	1400	970	643	21.2	PNDS.30.1400.ST.01	PNDS.30.1400.ST.01.L
	1800		843	24	PNDS.30.1800.ST.01	PNDS.30.1800.ST.01.L
Protective Grille Unit-PG30-02	1400	968	639	21.6	PNDS.30.1400.ST.02	PNDS.30.1400.ST.02.L
	1800		839	23.8	PNDS.30.1800.ST.02	PNDS.30.1800.ST.02.L
Protective Grille Unit-PG40-01	1400	950	630	24.7	PNDS.40.1400.ST.01	PNDS.40.1400.ST.01.L
	1800		830	27.8	PNDS.40.1800.ST.01	PNDS.40.1800.ST.01.L
Protective Grille Unit-PG40-02	1400	948	628	23	PNDS.40.1400.ST.02	PNDS.40.1400.ST.02.L
	1800		828	27.7	PNDS.40.1800.ST.02	PNDS.40.1800.ST.02.L

Item Number Reference:

The part number is for gray woven mesh in the default configuration, please specify with RAL code if other color is required, such as RAL9005 for black, RAL1018 for yellow.

ex: PNDS.30.1400.ST.01-RAL9005



Associated kits (To be ordered separately)



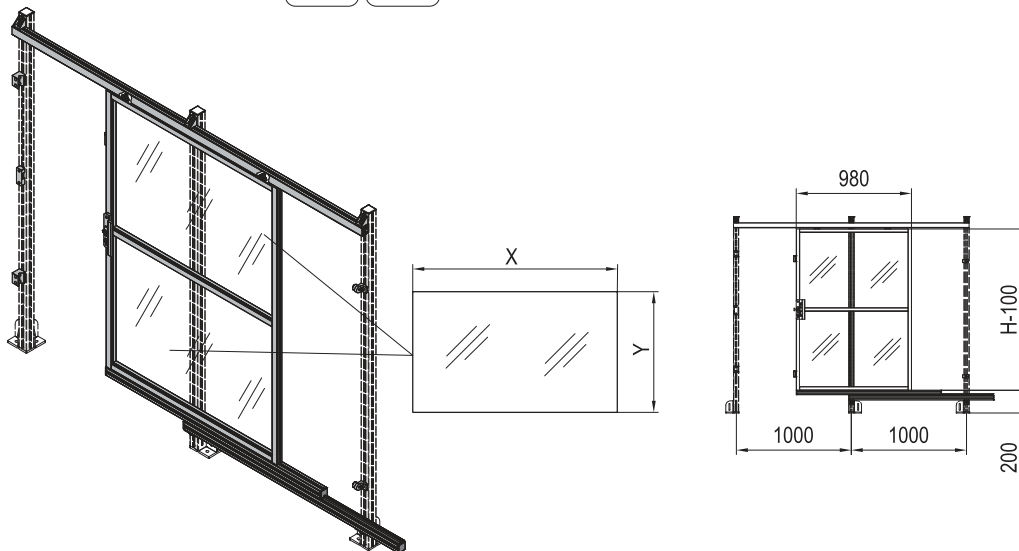
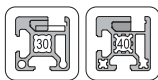
Strut Elements Page 19-24



Sliding Door

Sliding Door for Clamping Profile Unit

4mm Transparent PMMA Panel



Description	H(mm)	X(mm)	Y(mm)	Mass (kg)	Part No.(R)	Part No.(L)
Clamping Profile Unit-PG30	1400	934	619	21.1	PPDS.30.1400.ST	PPDS.30.1400.ST.L
	1800		819	23.8	PPDS.30.1800.ST	PPDS.30.1800.ST.L
Clamping Profile Unit-PG40	1400	920	610	27	PPDS.40.1400.ST	PPDS.40.1400.ST.L
	1800		810	30.5	PPDS.40.1800.ST	PPDS.40.1800.ST.L

Associated kits (To be ordered separately)



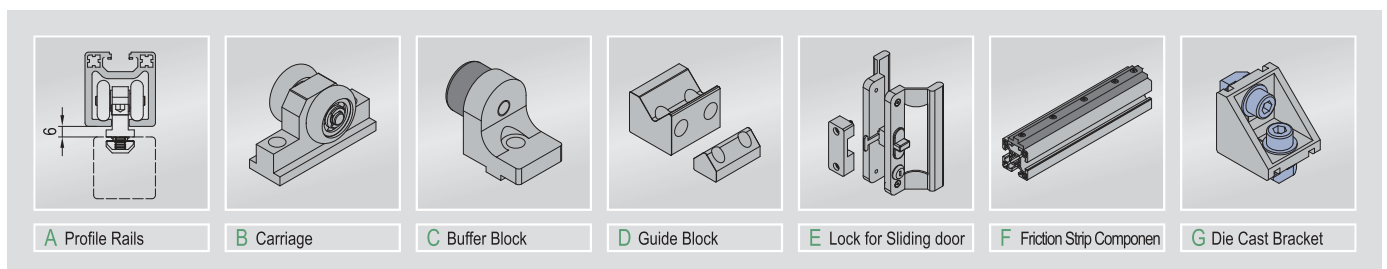
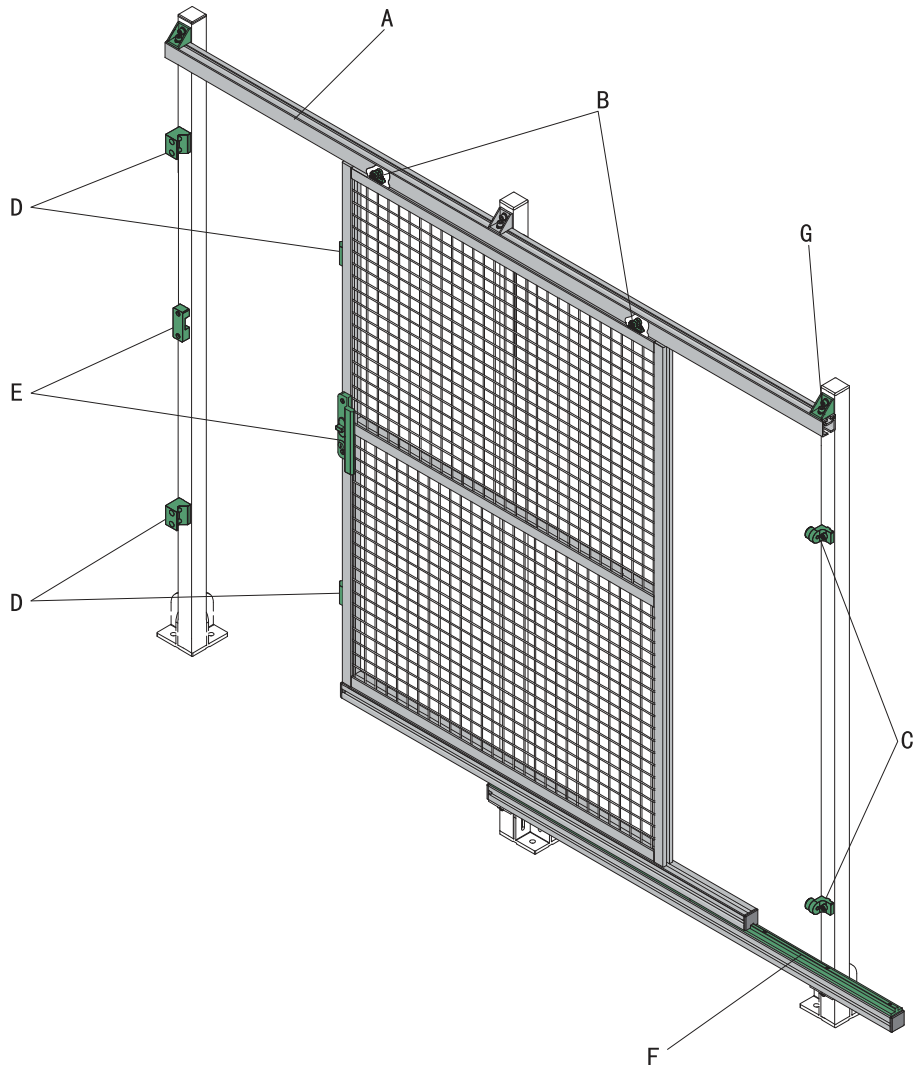
Strut Elements Page 19-24

Modular Assembly System
MAS
Machine Guard System
MGS
Stair and Platform System
SPS
Tubular Framing System
TFS



Components for Sliding Door

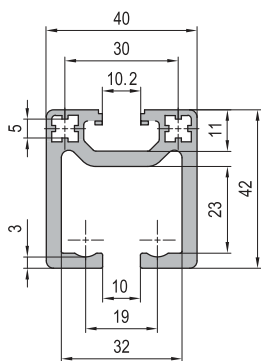
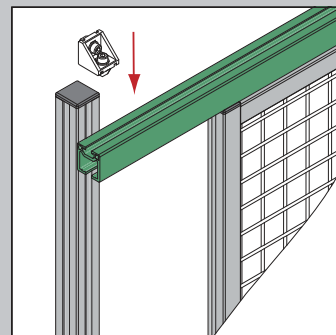
Sliding door are normally composed of A,B,C,D,E,F and G as shown in the below figure.





Profile Rail

Material: 6063-T5



Description	Moment of Inertia $I_x(\text{cm}^4)$	Moment of Inertia $I_y(\text{cm}^4)$	Moment of Resistance $W_x(\text{cm}^3)$	Moment of Resistance $W_y(\text{cm}^3)$	Mass (kg/m)	Part No.
Profile Rail	12.7	10.6	6.4	5.1	1.6	1.42.40.4040.01

Modular Assembly System

MAS

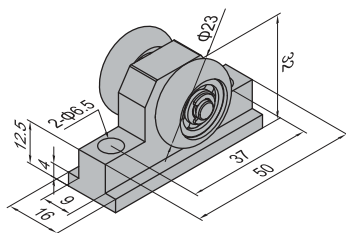
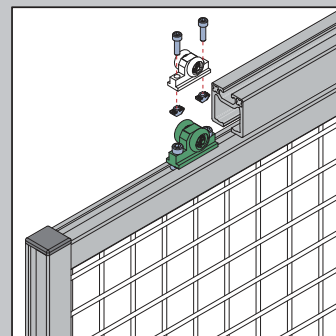
Machine Guard System

MGS



Pulley Block for Sliding Door

Material: aluminum alloy



HC	Fastening Set
	M6x20 Bolt zinc plated
	M6 T Nut nickel plated

Description	Fastening Set	Mass (g)	Part No.
Pulley Block for Sliding Door-PG30	2xHC	64	PBDS30.PB
Pulley Block for Sliding Door-PG40	2xHC	70	PBDS40.PB

Stair and Platform System

SPS

Tubular Framing System

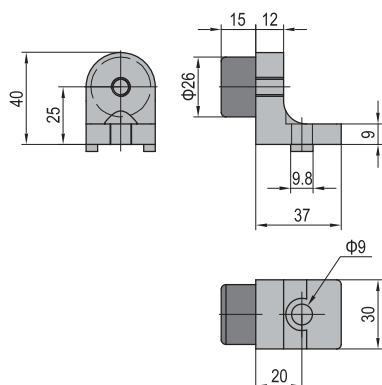
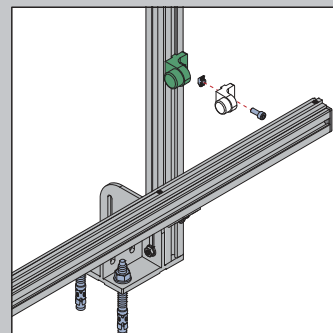
TFS





Buffer Block for Sliding Door

Material: aluminum alloy



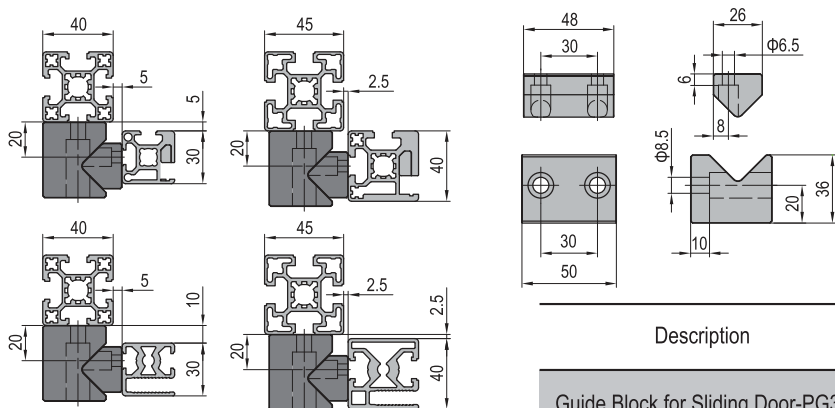
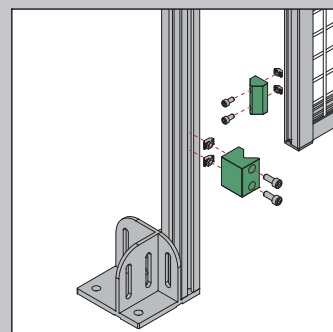
CC	Fastening Set
	M8x20 Bolt zinc plated
	M8 T Nut nickel plated

Description	Fastening Set	Mass (g)	Part No.
Buffer Block for Sliding Door	1xCC	64	PBDS.BB



Guide Block for Sliding Door

Material: POM



HD	Fastening Set	HE	Fastening Set	HF	Fastening Set
	M8x20 Bolt zinc plated		M6x12 Bolt zinc plated		M6x16 Bolt zinc plated
	M8 T Nut nickel plated		M6 T Nut nickel plated		M6 T Nut nickel plated

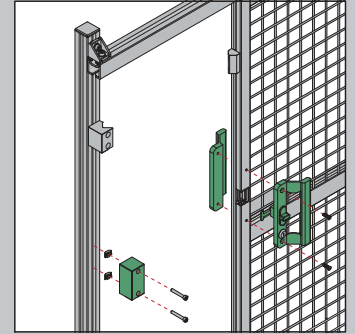
Description	Fastening Set	Mass (g)	Part No.
Guide Block for Sliding Door-PG30	2xHD+2xHE	151	PBDS30.DS
Guide Block for Sliding Door-PG40	2xHD+2xHF	157	PBDS40.DS





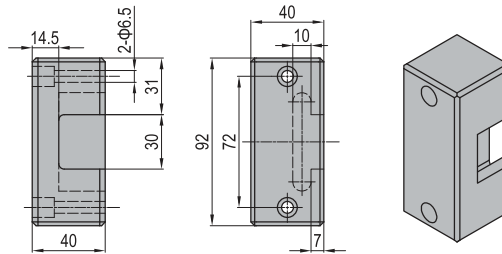
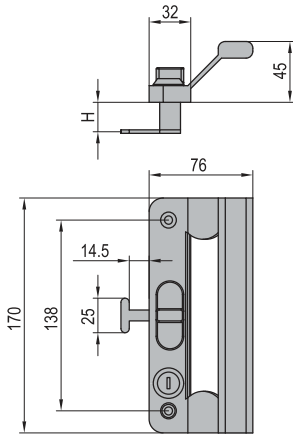
Lock for Sliding Door

Material: Lock Body: steel, black electrophoresis
Lock Slot:aluminum



Lock Body

Lock Slot



HZ	Fastening Set	HG	Fastening Set
	M6x40 Bolt zinc plated		M6x40 Bolt zinc plated
	M5x55 Bolt zinc plated		M5x45 Bolt zinc plated
	M6 T Nut nickel plated		M6 T Nut nickel plated

Description	H (mm)	Fastening Set	Mass (g)	Part No.
Lock for Sliding Door of Protective Grille Unit-PG30	18	2xHG	956	PNDS30.LK
Lock for Sliding Door of Protective Grille Unit-PG40	20	2xHZ	960	PNDS40.LK
Lock for Sliding Door of Clamping Profile Unit-PG30	12	2xHG	956	PPDS30.LK
Lock for Sliding Door of Clamping Profile Unit-PG40	18	2xHZ	960	PPDS40.LK

* The lock shown above is used on right open door, please specify if the lock is to be used on left open door.

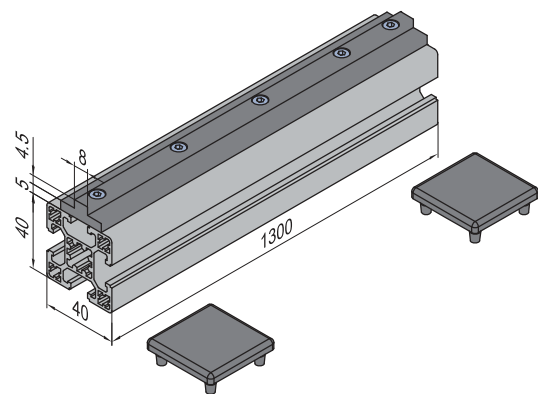
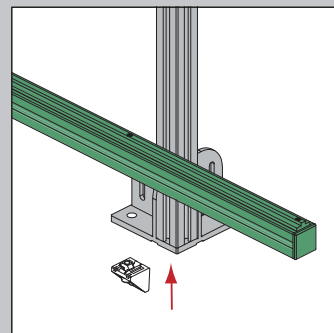




Friction Strip Components

The friction strip enable economical and low wear guides for manual sliding doors.

Material: UHMW PE



GE	Fastening Set
	M4x14 Bolt zinc plated
	M4 T Nut nickel plated

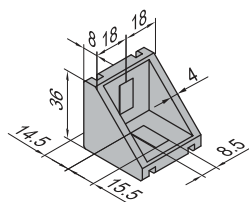
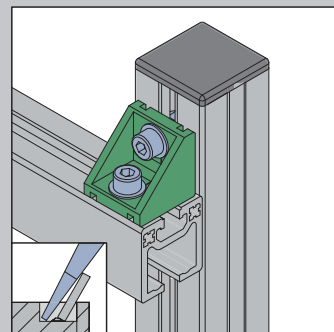
Description	Fastening Set	Mass (kg)	Part No.
Friction Strip Components (set)	5xGE	2.1	PPDS.FS.ST



Die Cast Bracket

Diecast used to connect profile rail with friction strip.

Material: Die cast aluminium



D	Fastening Set
	M8x20 Bolt zinc plated
	M8 Washer zinc plated
	M8 T Nut nickel plated

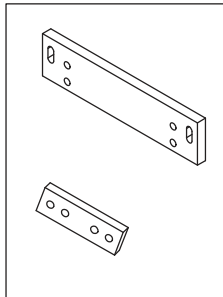
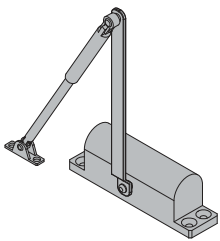
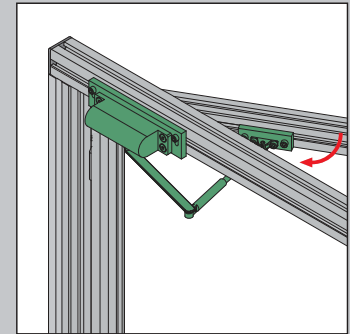
Description	Fastening Set	Mass (g)	Part No.
Die cast bracket-PG40-40x40 (set D)	2xD	92	3.21.40.4040.STD





Door Shutter

Door shutter is used on swing door and it makes door closed automatically.



HH	Fastening Set	HJ	Fastening Set	HK	Fastening Set	HL	Fastening Set
	M6x20 Bolt zinc plated		M6x14 Bolt zinc plated		M6x10 Bolt zinc plated		M6x20 Bolt zinc plated
	M6 Washer zinc plated						M6 Washer zinc plated
	M6 T Nut nickel plated						

Description	Fastening Set	Part No.
Door Shutter for Protective Grille Unit	2xHH+4xHJ+2xHK+2xHL	PNDH.DS.ST
Door Shutter for Clamping Profile Unit	4xHH+4xHJ+2xHK	PPDH.DS.ST

✳️ Strut profile used on swing door constructed with meshes need to be tapped with 2 pcs of M6X15 screw when using door shutter.



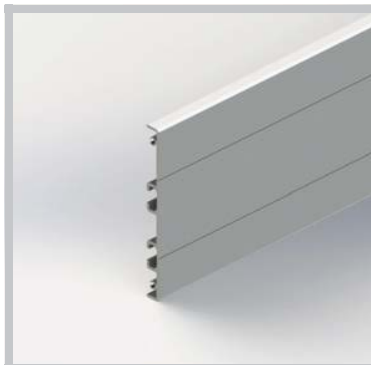
Safety Lock

The integrated EUCHNER and OMRON lock ensure the safety and stability of the whole machine guard system.

Description	Part No.
Safety Lock	PBDH.SL

✳️ The EUCHNER or OMRON lock is suggested, please refer to EUCHNER or OMRON catalogue for detail specification number or please contact with us for detail.

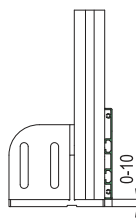
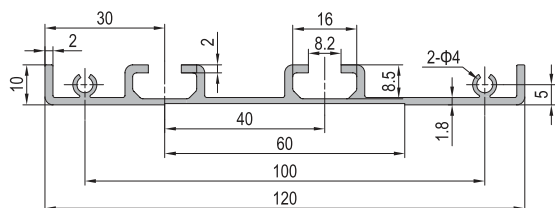
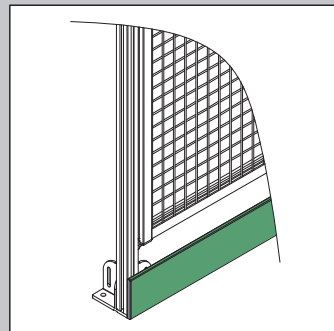




Guard rail kick plate profile

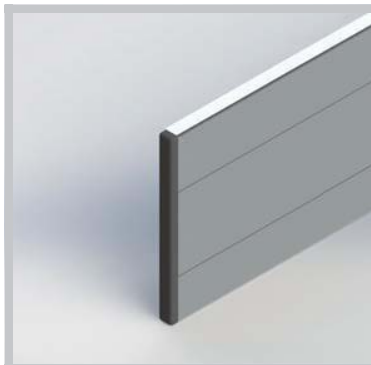
The kick plate profile is installed at the lower part of the machine guard unit to keep the small component or other objects outside and ensure the stability and good appearance of the unit.

Material: 6063-T5 Surface treatment: satin anodized



✕ The machine guard kick plate can be adjusted up and down in 10mm range.

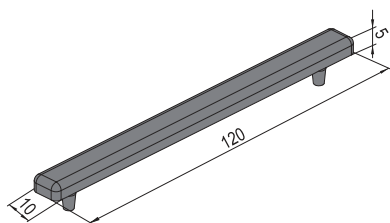
Description	Moment of Inertia $I_x(\text{cm}^4)$	Moment of Inertia $I_y(\text{cm}^4)$	Moment of Resistance $W_x(\text{cm}^3)$	Moment of Resistance $W_y(\text{cm}^3)$	Mass (kg/m)	Part No.
Guard rail kick plate profile	0.33	48.3	0.66	8.1	0.95	1.42.10.010120.01



Machine guard kick plate end cap

To prevent staff from any injury and improve profile end appearance.

Material and Color: black ABS



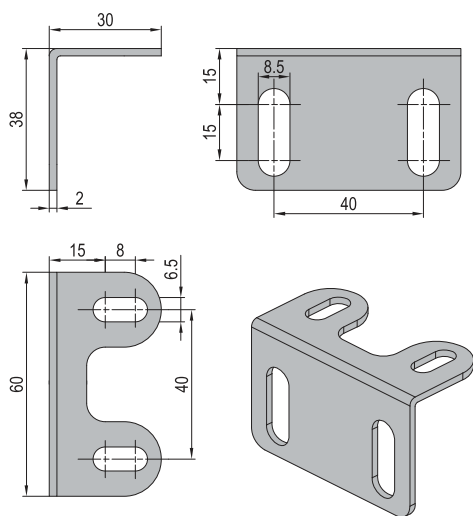
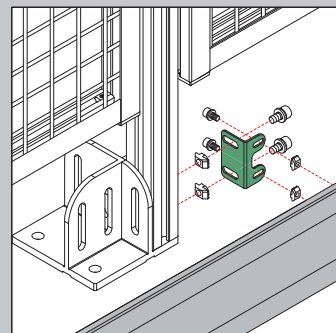
Description	Mass (g)	Part No.
Machine guard kick plate end cap	5	4.12.30.10.010120





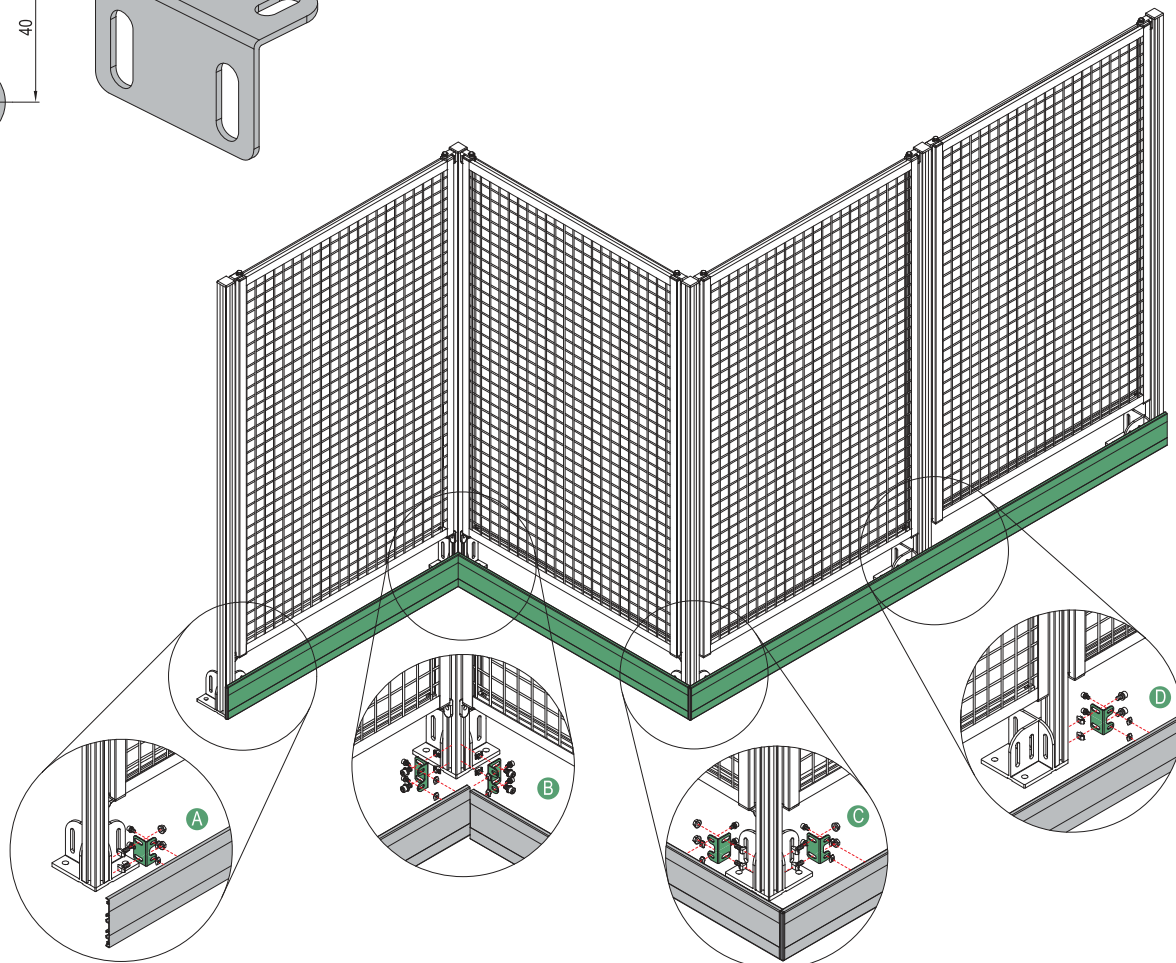
Machine guard kick plate profile

The kick plate connector is for connection between kick plate profile and the machine guard unit. Only one set of fastening set is needed at the location A and C and can be used both on kick plate connector and base plate.



EA	Fastening Set	EB	Fastening Set
	M6x12 Bolt zinc plated		M8x16 Bolt zinc plated
	M6 Spring Washer zinc plated		M8 Spring Washer zinc plated
	M6 Washer zinc plated		M8 Washer zinc plated
	M6 T-Nut-8.2 nickel plated		M8 T-Nut-10.2 nickel plated

Description	Fastening Set	Mass (g)	Part No.
Machine guard kick plate profile (pcs)		46	PNDH40.MGKPP
Machine guard kick plate profile (set)	2xEA+2xEB	78	PNDH40.MGKPP.ST



Modular Assembly System
MAS
Machine Guard System
MGS
Stair and Platform System
SPS
Tubular Framing System
TFS