

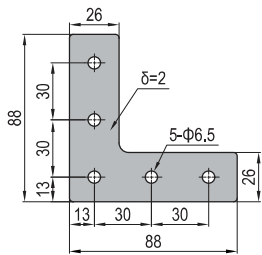
Connecting Elements

Joining Plate **New!**

Material: zinc plated steel



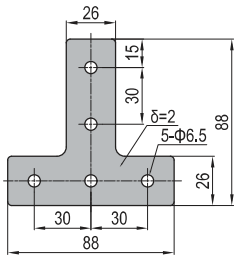
PG30-3030-01



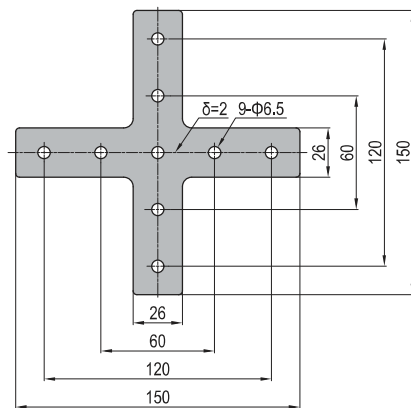
PG	Fastening Set	PH	Fastening Set
	M6x10 Bolt zinc plated		M6x10 Bolt zinc plated
	M6 Spring Washer zinc plated		M8 Spring Washer zinc plated
	M6 T Nut nickel plated		M6 Pre-set Nut nickel plated

Description	Fastening Set	Mass (g)	Part No.
PG30-3030-01 (pcs)		58	3.53.30.3030.01
PG30-3030-01 (set A)	5xPG	92	3.53.30.3030.01.STA
PG30-3030-01 (set B)	5xPH	112	3.53.30.3030.01.STB
PG30-3030-02 (pcs)		58	3.53.30.3030.02
PG30-3030-02 (set A)	5xPG	92	3.53.30.3030.02.STA
PG30-3030-02 (set B)	5xPH	112	3.53.30.3030.02.STB
PG30-3030-03 (pcs)		107	3.53.30.3030.03
PG30-3030-03 (set A)	9xPG	168	3.53.30.3030.03.STA
PG30-3030-03 (set B)	9xPH	204	3.53.30.3030.03.STB

PG30-3030-02



PG30-3030-03



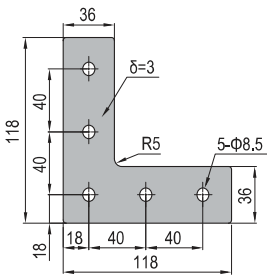
Connecting Elements

Joining Plate

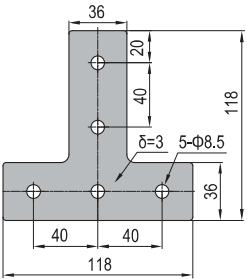
Material: zinc plated steel



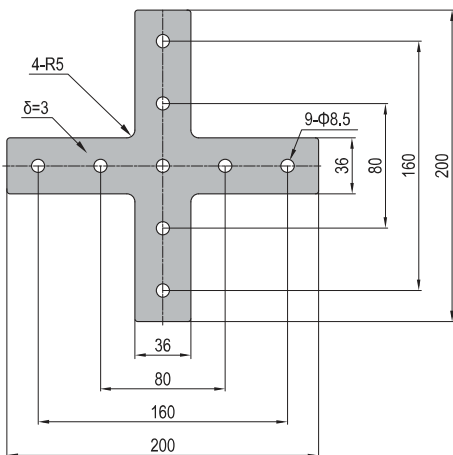
PG40-4040-01



PG40-4040-02



PG40-4040-03



X	Fastening Set	Y	Fastening Set
	M8x12 Bolt zinc plated		M8x12 Bolt zinc plated
	M8 Spring Washer zinc plated		M8 Spring Washer zinc plated
	M8 T Nut nickel plated		M8 Pre-set Nut nickel plated

Description	Fastening Set	Mass (g)	Part No.
PG40-4040-01 (pcs)		147	3.53.40.4040.01
PG40-4040-01 (set X)	5xX	217	3.53.40.4040.01.STX
PG40-4040-01 (set Y)	5xY	257	3.53.40.4040.01.STY
PG40-4040-02 (pcs)		149	3.53.40.4040.02
PG40-4040-02 (set X)	5xX	219	3.53.40.4040.02.STX
PG40-4040-02 (set Y)	5xY	259	3.53.40.4040.02.STY
PG40-4040-03 (pcs)		269	3.53.40.4040.03
PG40-4040-03 (set X)	9xX	395	3.53.40.4040.03.STX
PG40-4040-03 (set Y)	9xY	467	3.53.40.4040.03.STY



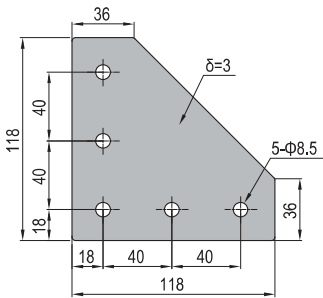
Connecting Elements

Joining Plate

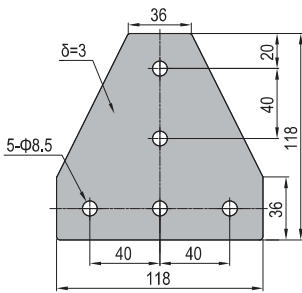
Material: zinc plated steel



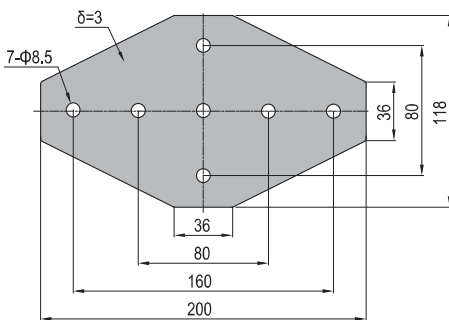
PG40-4040-04



PG40-4040-05



PG40-4040-06



X	Fastening Set	Y	Fastening Set
	M8x12 Bolt zinc plated		M8x12 Bolt zinc plated
	M8 Spring Washer zinc plated		M8 Spring Washer zinc plated
	M8 T Nut nickel plated		M8 Pre-set Nut nickel plated

Description	Fastening Set	Mass (g)	Part No.
PG40-4040-04 (pcs)		222	3.53.40.4040.04
PG40-4040-04 (set X)	5xX	292	3.53.40.4040.04.STX
PG40-4040-04 (set Y)	5xY	332	3.53.40.4040.04.STY
PG40-4040-05 (pcs)		220	3.53.40.4040.05
PG40-4040-05 (set X)	5xX	290	3.53.40.4040.05.STX
PG40-4040-05 (set Y)	5xY	330	3.53.40.4040.05.STY
PG40-4040-06 (pcs)		355	3.53.40.4040.06
PG40-4040-06 (set X)	7xX	453	3.53.40.4040.06.STX
PG40-4040-06 (set Y)	7xY	510	3.53.40.4040.06.STY



Connecting Elements

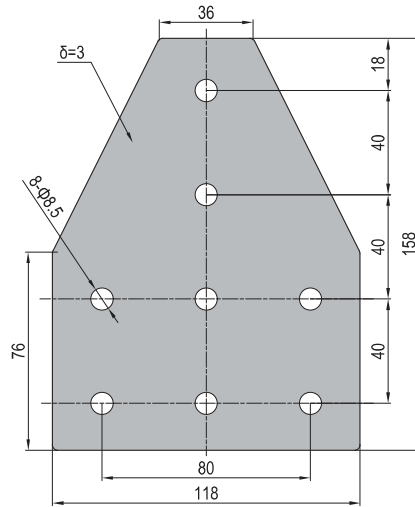
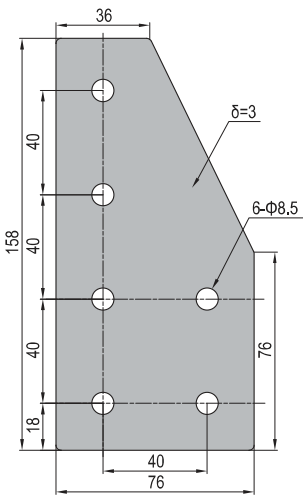
Joining Plate

Material: zinc plated steel

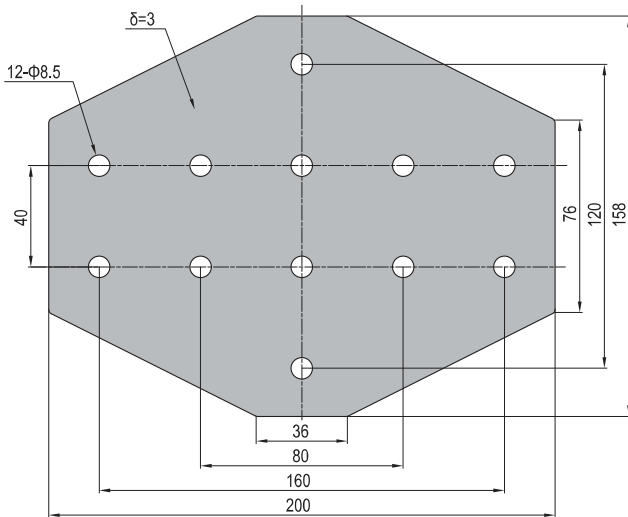


PG40-4080-01

PG40-4080-02



PG40-4080-03



X	Fastening Set	Y	Fastening Set
	M8x12 Bolt zinc plated		M8x12 Bolt zinc plated
	M8 Spring Washer zinc plated		M8 Spring Washer zinc plated
	M8 T Nut nickel plated		M8 Preset Nut nickel plated

Description	Fastening Set	Mass (g)	Part No.
PG40-4080-01 (pcs)		222	3.53.40.4080.01
PG40-4080-01 (set X)	6xX	306	3.53.40.4080.01.STX
PG40-4080-01 (set Y)	6xY	354	3.53.40.4080.01.STY
PG40-4080-02 (pcs)		347	3.53.40.4080.02
PG40-4080-02 (set X)	8xX	459	3.53.40.4080.02.STX
PG40-4080-02 (set Y)	8xY	523	3.53.40.4080.02.STY
PG40-4080-03 (pcs)		523	3.53.40.4080.03
PG40-4080-03 (set X)	12xX	691	3.53.40.4080.03.STX
PG40-4080-03 (set Y)	12xY	787	3.53.40.4080.03.STY



Connecting Elements

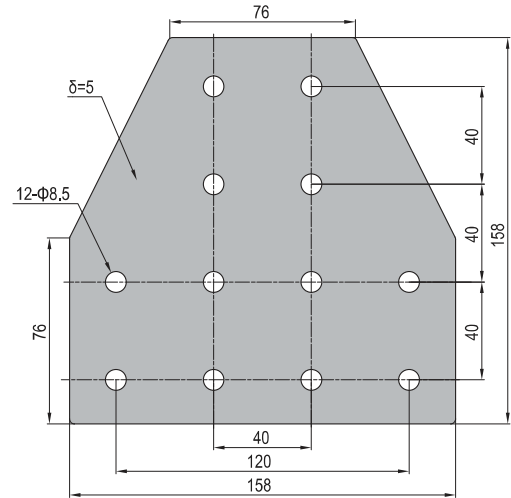
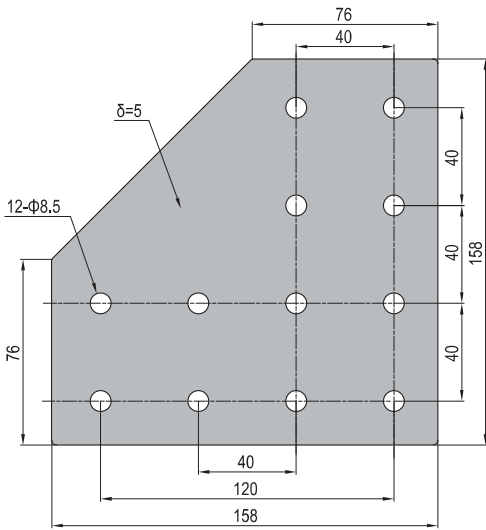
Joining Plate

Material: zinc plated steel

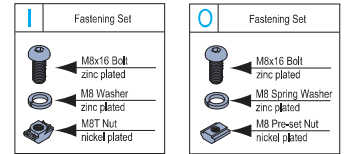
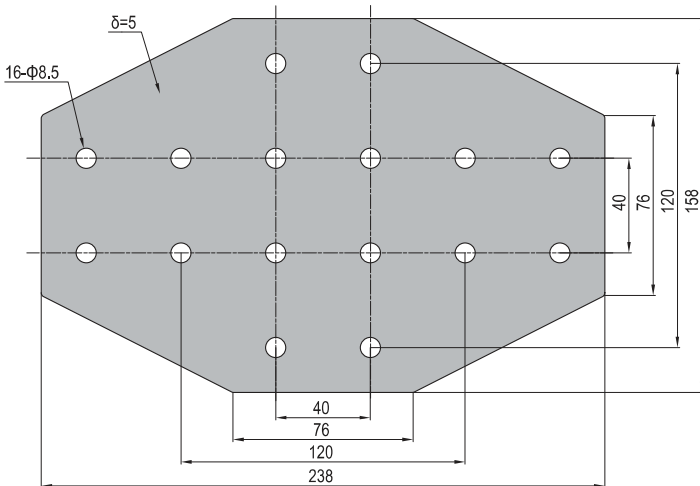


PG40-8080-01

PG40-8080-02



PG40-8080-03



Description	Fastening Set	Mass (g)	Part No.
PG40-8080-01 (pcs)		730	3.53.40.8080.01
PG40-8080-01 (set I)	12xI	910	3.53.40.8080.01.STI
PG40-8080-01 (set O)	12xO	1006	3.53.40.8080.01.STO
PG40-8080-02 (pcs)		731	3.53.40.8080.02
PG40-8080-02 (set I)	12xI	911	3.53.40.8080.02.STI
PG40-8080-02 (set O)	12xO	1007	3.53.40.8080.02.STO
PG40-8080-03 (pcs)		1043	3.53.40.8080.03
PG40-8080-03 (set I)	16xI	1283	3.53.40.8080.03.STI
PG40-8080-03 (set O)	16xO	1411	3.53.40.8080.03.STO



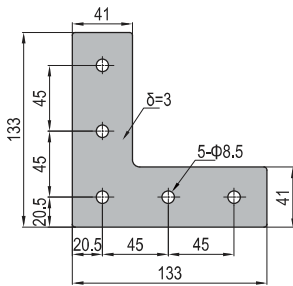
Connecting Elements

Joining Plate **New!**

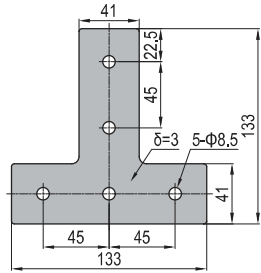
Material: zinc plated steel



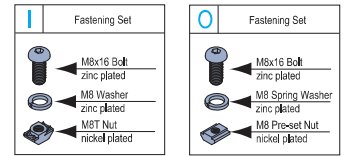
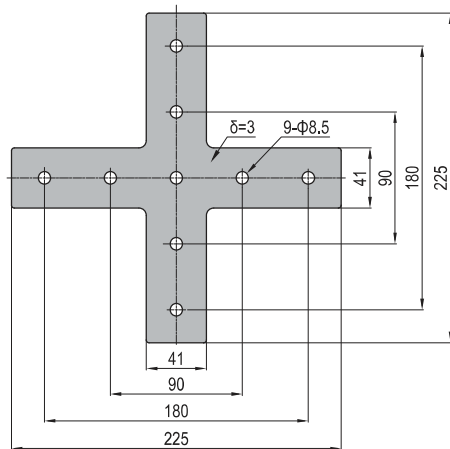
PG45-4545-01



PG45-4545-02



PG45-4545-03



Description	Fastening Set	Mass (g)	Part No.
PG45-4545-01 (pcs)		209	3.53.45.4545.01
PG45-4545-01 (set I)	5xI	288	3.53.45.4545.01.STI
PG45-4545-01 (set O)	5xO	328	3.53.45.4545.01.STO
PG45-4545-02 (pcs)		209	3.53.45.4545.02
PG45-4545-02 (set I)	5xI	288	3.53.45.4545.02.STI
PG45-4545-02 (set O)	5xO	328	3.53.45.4545.02.STO
PG45-4545-03 (pcs)		381	3.53.45.4545.03
PG45-4545-03 (set I)	9xI	524	3.53.45.4545.03.STI
PG45-4545-03 (set O)	9xO	596	3.53.45.4545.03.STO

