

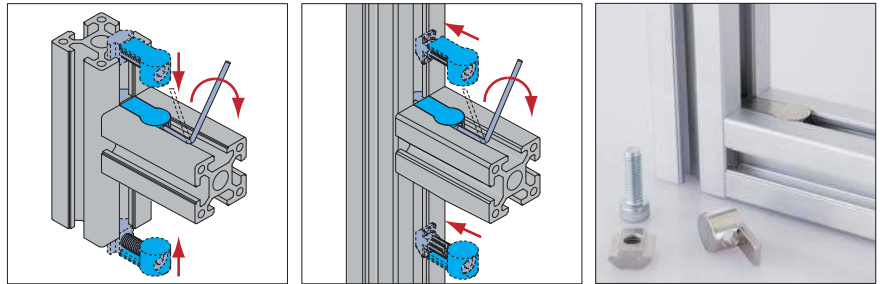
Connecting Elements

Butt Connector

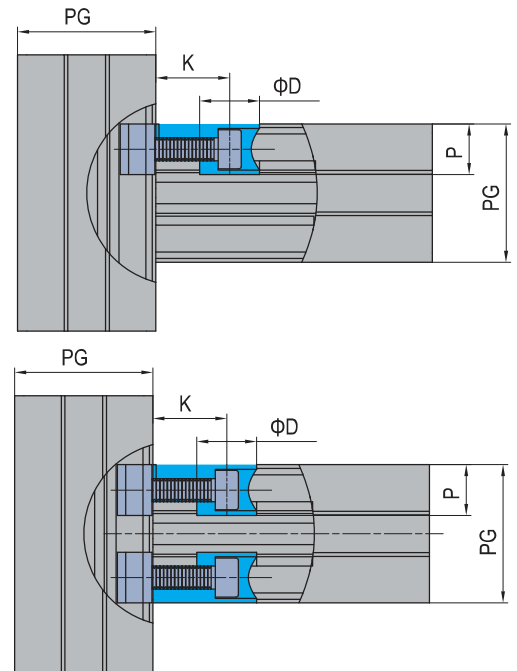
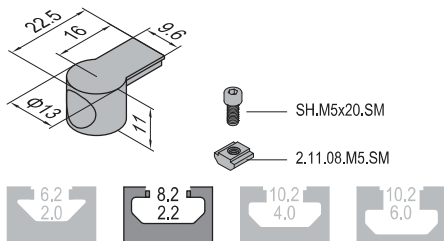


Butt Connector is used for profile affiliating connection and widely used in clean room.

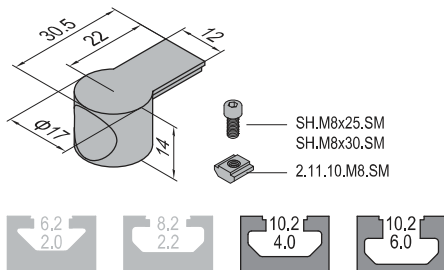
Material: diecast zinc nickel plated



Butt Connector-8



Butt Connector-10



PG	Fastening Set	CD	Fastening Set	CE	Fastening Set	Q	Fastening Set	T	Fastening Set	S	Fastening Set
	M5x20 Bolt zinc plated M5 T Nut nickel plated		M8x25 Bolt zinc plated M8 T Nut nickel plated		M8x30 Bolt zinc plated M8 T Nut nickel plated		M5x20 Bolt zinc plated M5 Pre-set Nut nickel plated		M8x25 Bolt zinc plated M8 Pre-set Nut nickel plated		M8x30 Bolt zinc plated M8 Pre-set Nut nickel plated

Description	PG	K (mm)	D (mm)	P (mm)	Fastening Set	Mass (g)	Part No.
Butt Connector-8 (pcs)						9	3.61.08
Butt Connector-8 (set A)	PG30	16	13	11	1xQ	20	3.61.08.STA
Butt Connector-8 (set B)					1xPG	18	3.61.08.STB
Butt Connector-10 (pcs)	PG40/PG45/PG50/PG60					15	3.61.10
Butt Connector-10-4 (set A)	PG40	22	17	14	1xT	41	3.61.10.04.STA
Butt Connector-10-4 (set B)					1xCD	37	3.61.10.04.STB
Butt Connector-10-6 (set A)	PG45/PG50/PG60				1xS	43	3.61.10.06.STA
Butt Connector-10-6 (set B)					1xCE	39	3.61.10.06.STB

