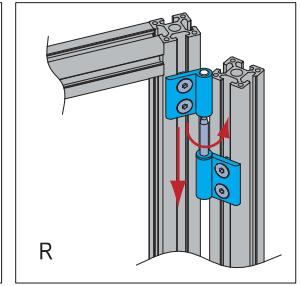
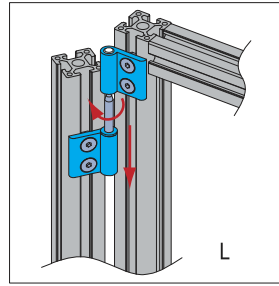
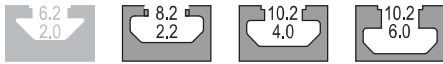


Door and Window Elements

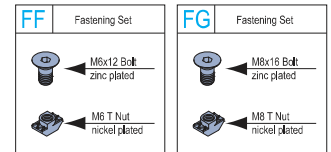
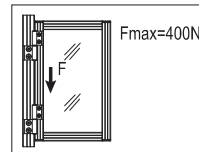
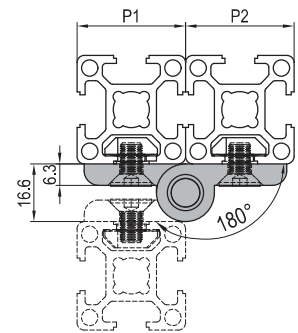
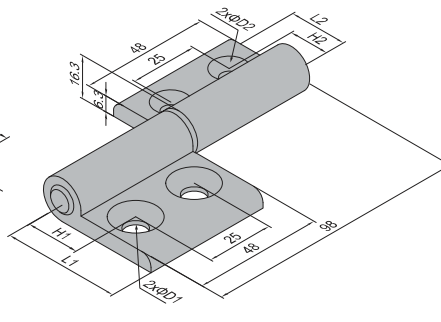
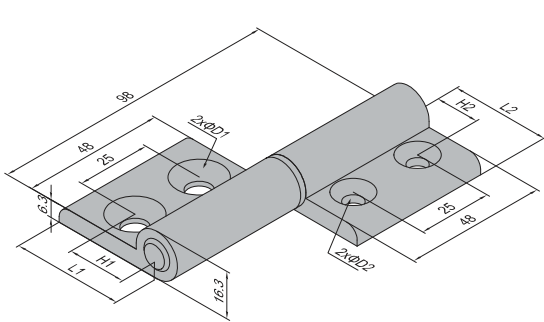
Hinge

Material and Color: aluminum, nature anodized



Hinge-AI Removable Hinge-L

Hinge-AI Removable Hinge-R



Description	H1 (mm)	H2 (mm)	L1 (mm)	L2 (mm)	D1 (mm)	D2 (mm)	Fastening Set	Mass (g)	Part No.(L)	Part No.(R)
30/30 (pcs)	15	15	28	28	6.5	6.5		105	7.26.30.30	7.27.30.30
30/30 (set)							4xFF	133	7.26.30.30.ST	7.27.30.30.ST
30/40 (pcs)	20	15	38	28	8.5	6.5		110	7.26.30.40	7.27.30.40
30/40 (set)							2xFF+2xFG	158	7.26.30.40.ST	7.27.30.40.ST
30/45 (pcs)	22.5	15	38	28	8.5	6.5		110	7.26.30.45	7.27.30.45
30/45 (set)							2xFF+2xFG	158	7.26.30.45.ST	7.27.30.45.ST
40/40 (pcs)	20	20	38	38	8.5	8.5		118	7.26.40.40	7.27.40.40
40/40 (set)							4xFG	186	7.26.40.40.ST	7.27.40.40.ST
40/45 (pcs)	22.5	20	38	38	8.5	8.5		118	7.26.40.45	7.27.40.45
40/45 (set)							4xFG	186	7.26.40.45.ST	7.27.40.45.ST
40/50(pcs)	25	20	43	38	8.5	8.5		121	7.26.40.50 <b>New!</b>	7.27.40.50 <b>New!</b>
40/50(set)							4xFG	189	7.26.40.50.ST <b>New!</b>	7.27.40.50.ST <b>New!</b>
45/45 (pcs)	22.5	22.5	38	38	8.5	8.5		118	7.26.45.45	7.27.45.45
45/45 (set)							4xFG	186	7.26.45.45.ST	7.27.45.45.ST
45/50 (pcs)	25	22.5	43	38	8.5	8.5		121	7.26.45.50 <b>New!</b>	7.27.45.50 <b>New!</b>
45/50 (set)							4xFG	189	7.26.45.50.ST <b>New!</b>	7.27.45.50.ST <b>New!</b>
50/50 (pcs)	25	25	43	43	8.5	8.5		121	7.26.50.50 <b>New!</b>	7.27.50.50 <b>New!</b>
50/50 (set)							4xFG	192	7.26.50.50.ST <b>New!</b>	7.27.50.50.ST <b>New!</b>



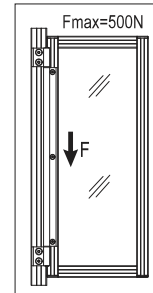
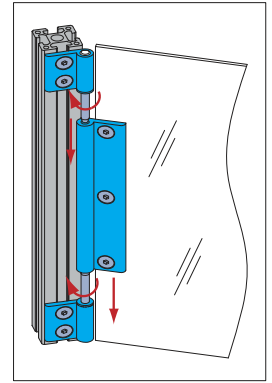
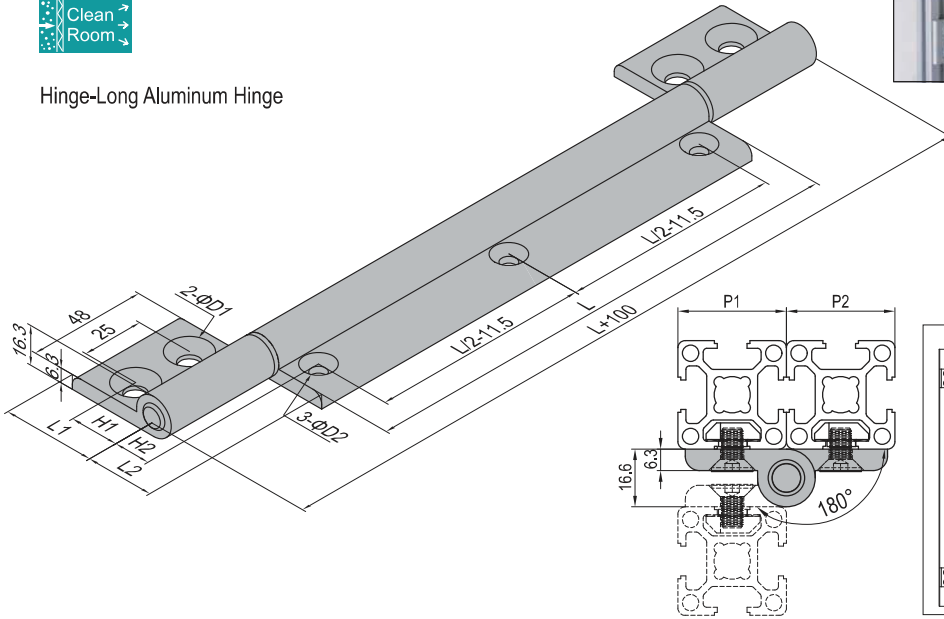
Door and Window Elements

Hinge

Material and Color: aluminum, nature anodized



Hinge-Long Aluminum Hinge



FF	Fastening Set	FG	Fastening Set
	M6x12 Bolt zinc plated		M8x16 Bolt zinc plated
	M6 T Nut nickel plated		M8 T Nut nickel plated

Description	H1 (mm)	H2 (mm)	L1 (mm)	L2 (mm)	D1 (mm)	D2 (mm)	L (mm)	Fastening Set	Mass (g)	Part No.
30/30 (pcs)	15	15	28	28	6.5	6.5	500		515	7.28.30.30
30/30 (set)								7×FF	571	7.28.30.30.ST
30/40 (pcs)	20	15	38	28	8.5	6.5			525	7.28.30.40
30/40 (set)								3×FF+4×FG	617	7.28.30.40.ST
30/45 (pcs)	22.5	15	38	28	8.5	6.5			525	7.28.30.45
30/45 (set)								3×FF+4×FG	617	7.28.30.45.ST
40/40 (pcs)	20	20	38	38	8.5	8.5			605	7.28.40.40
40/40 (set)								7×FG	724	7.28.40.40.ST
40/45 (pcs)	22.5	20	38	38	8.5	8.5			605	7.28.40.45
40/45 (set)								7×FG	724	7.28.40.45.ST
45/45 (pcs)	22.5	22.5	38	38	8.5	8.5			605	7.28.45.45
45/45 (set)								7×FG	724	7.28.45.45.ST

Note: The length could be customized according to customer's requirements(100~1000mm).

ex: 7.28.30.30 - 1000

