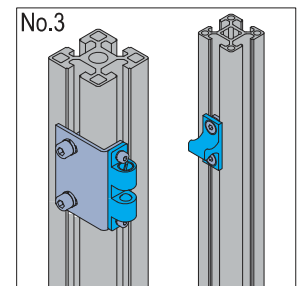
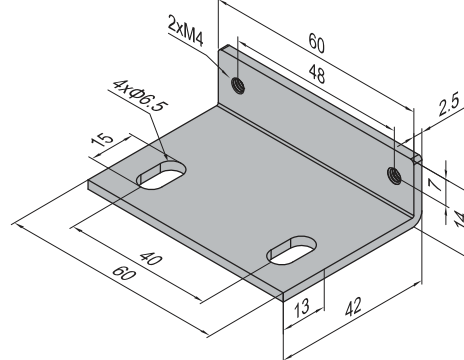
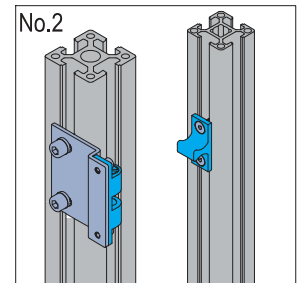
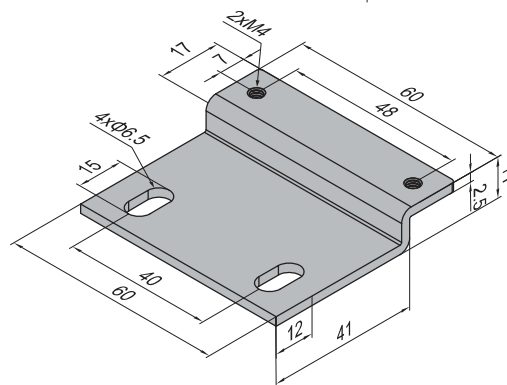
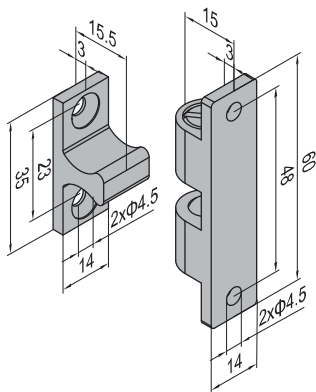
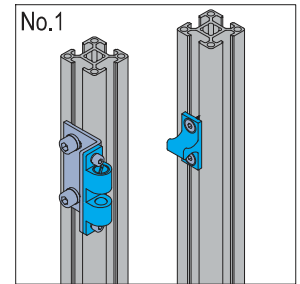
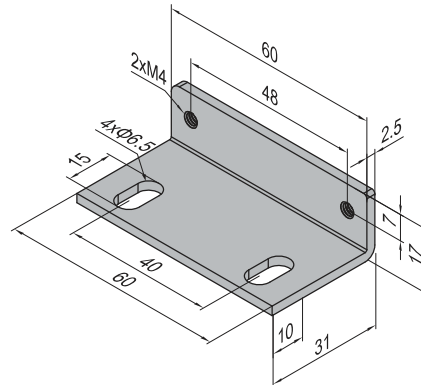


Door and Window Elements

Magnet Catch

Material: Magnet Catch-aluminum alloy, hard oxidation anodized
Connectors-zinc plated steel

Note: When the magnet catch is installed on the lower door frame, the door should be more than 400mm.



CF Fastening Set 	PF Fastening Set 	CJ Fastening Set 	CK Fastening Set 	CN Fastening Set
-----------------------------	-----------------------------	-----------------------------	-----------------------------	-----------------------------

Description	L (mm)	H (mm)	Fastening Set	Mass (g)	Part No.
Magnet Catch-14 (pcs)				26	7.41.14
Magnet Catch-14 (Profile 3030 for Door, Profile 3030 for Doorframe set No.1)	31	17	2xCF+2xPF+2xCJ	130	7.41.14.3030.ST
Magnet Catch-14 (Profile 3030 for Door, Profile 4040 for Doorframe set No.2)	41	11	2xCF+2xPF+2xCK	139	7.41.14.3040.ST
Magnet Catch-14 (Profile 3030 for Door, Profile 4545 for Doorframe set No.3)	42	14	2xCF+2xPF+2xCN	145	7.41.14.3045.ST

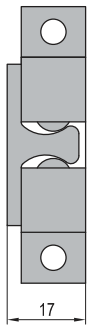


Door and Window Elements

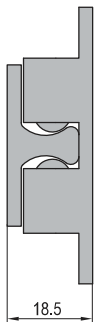
Magnet Catch

Material: Magnet Catch-aluminum alloy, hard oxidation anodized
Connector-zinc plated steel
(Material for Connector 4080 is aluminum alloy)

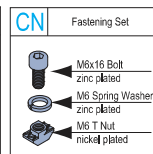
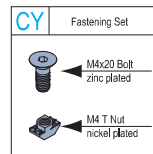
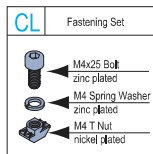
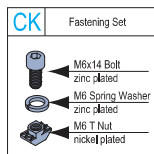
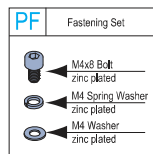
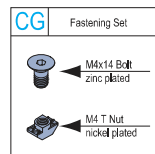
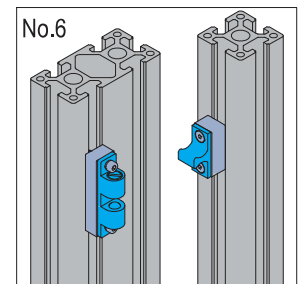
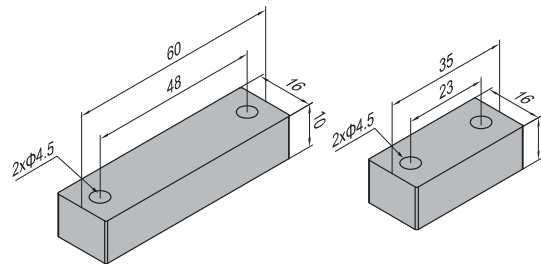
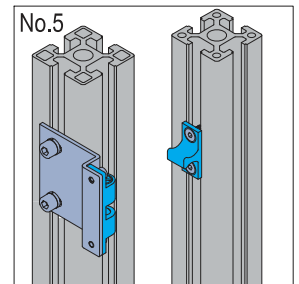
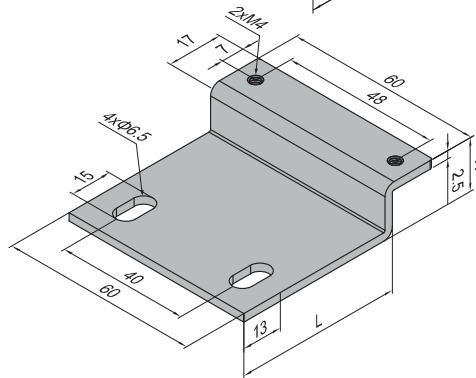
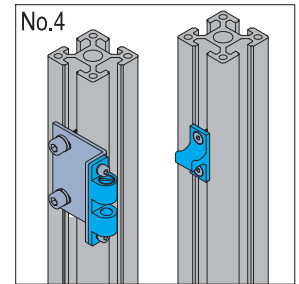
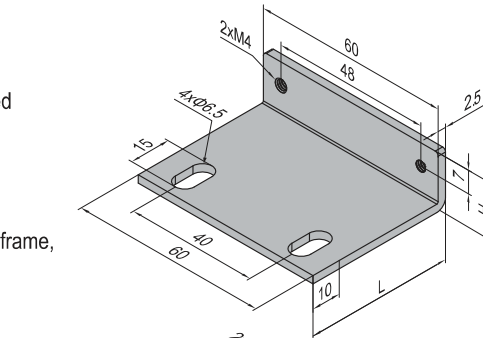
Note: When the magnet catch is installed on the lower door frame, the door should be more than 400mm.



Tighten Status 1



Tighten Status 2



Description	L (mm)	H (mm)	Fastening Set	Mass (g)	Part No.
Magnet Catch-14 (Profile 4040 for Door, Profile 4040 for Doorframe set No.4)	45	17	2xCG+2xPF+2xCK	147	7.41.14.4040.ST
Magnet Catch-14 (Profile 4040 for Door, Profile 4545 for Doorframe set No.5)	51	16	2xCG+2xPF+2xCN	151	7.41.14.4045.ST
Magnet Catch-14 (Profile 4040 for Door, Profile 4080 for Doorframe set No.6)			2xCL+2xCY	255	7.41.14.4080.ST
Magnet Catch-14 (Profile 4040 for Door, Profile 5050 for Doorframe set No.5)	51	11	2xCG+2xPF+2xCN	145.5	7.41.14.4050.ST New!
Magnet Catch-14 (Profile 4545 for Door, Profile 4545 for Doorframe set No.4)	45	17	2xCG+2xPF+2xCN	151	7.41.14.4545.ST
Magnet Catch-14 (Profile 4545 for Door, Profile 5050 for Doorframe set No.5)	51	16	2xCG+2xPF+2xCN	151	7.41.14.4550.ST New!
Magnet Catch-14 (Profile 5050 for Door, Profile 5050 for Doorframe set No.4)	50	17	2xCG+2xPF+2xCN	149	7.41.14.5050.ST New!

