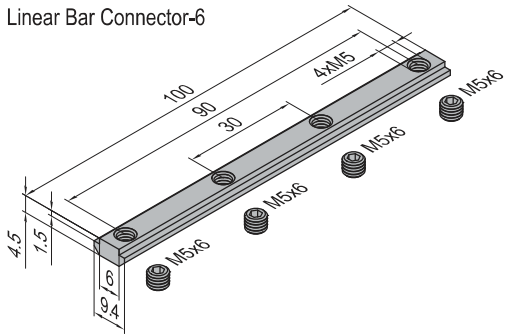


Connecting Elements

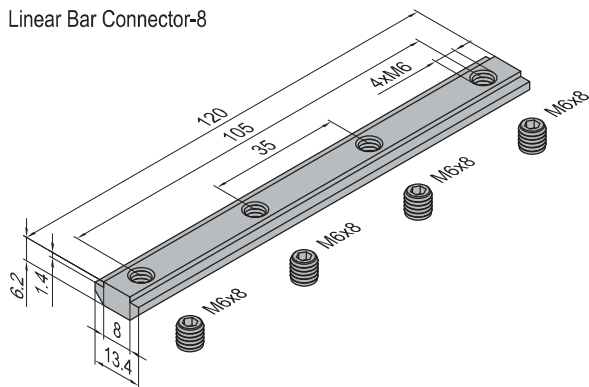
Linear Bar Connector (with top thread)

Material: zinc plated steel

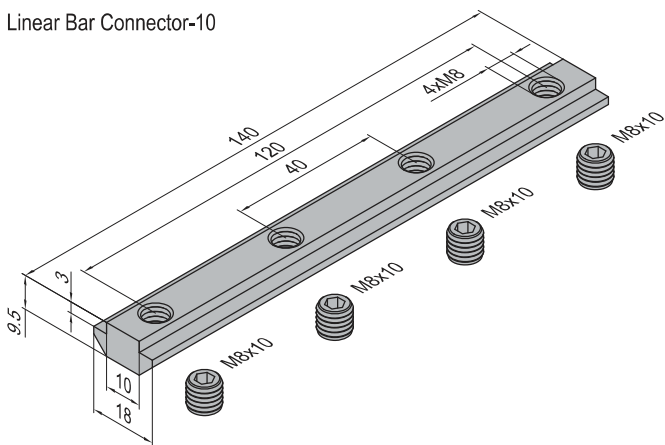
Linear Bar Connector-6



Linear Bar Connector-8



Linear Bar Connector-10



Description	Mass (g/pcs)	Part No.
Linear Bar Connector-6 (with top thread)	27	3.51.06
Linear Bar Connector-8 (with top thread)	65	3.51.08
Linear Bar Connector-10 (with top thread)	132	3.51.10

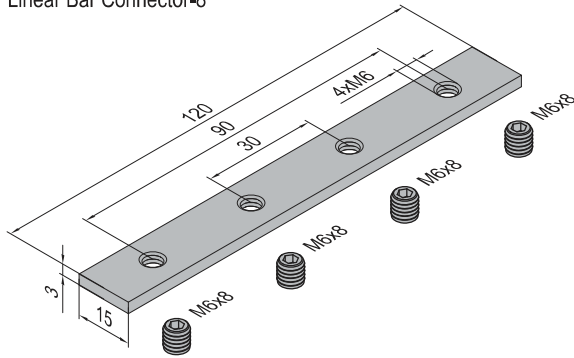


Connecting Elements

Linear Bar Connector (with top thread)

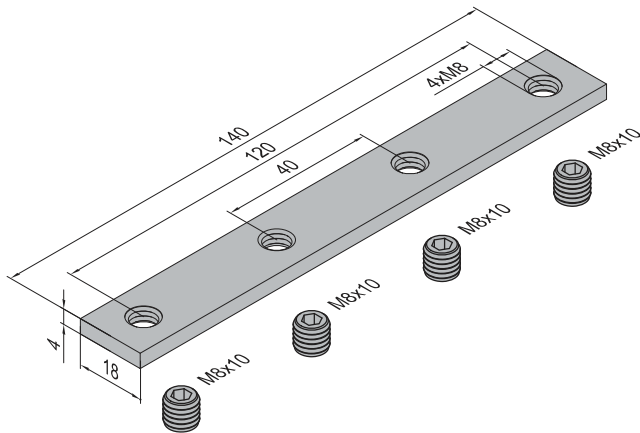
Material: zinc plated steel

Linear Bar Connector-8



Description	Mass (g/pcs)	Part No.
Linear Bar Connector-8 (with top thread)	40	3.52.08
Linear Bar Connector-10 (with top thread)	74	3.52.10

Linear Bar Connector-10



Modular Assembly System

MAS

Machine Guard System

MGS

Stair and Platform System

SPS

Tubular Framing System

TFS

