

Additional Accessories



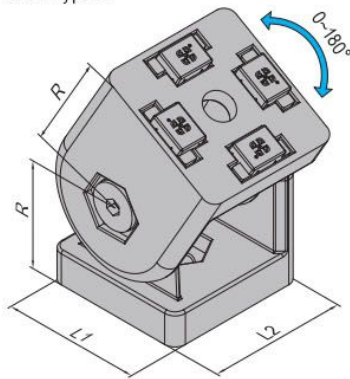
Joint

To connect movable profiles.

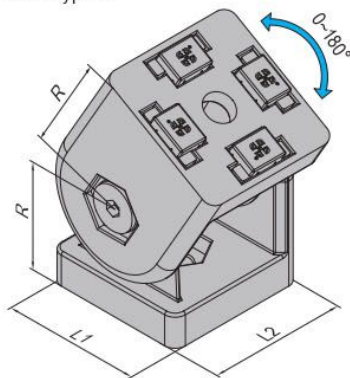
Material: zinc alloy



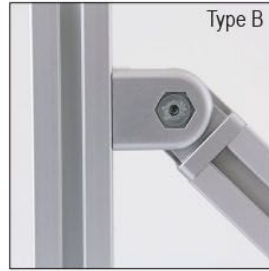
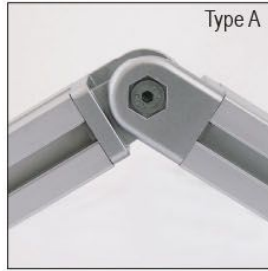
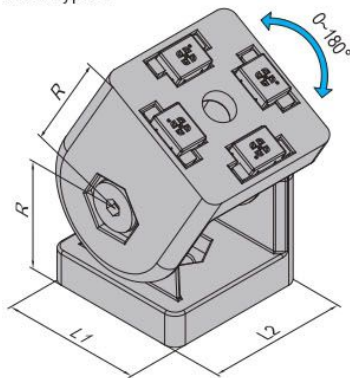
Joint-Type A



Joint-Type B



Joint-Type C



Note: Ratchet handle (part number RH) is an optional accessory for all three connection types-type A, B and C.

FS	FO	FU	FX	GO
Fastening Set	Fastening Set	Fastening Set	Fastening Set	Fastening Set
M6x10 Bolt Zinc-plated	M6x16 Bolt Zinc-plated	M8x12 Bolt Zinc-plated	M8x20 Bolt Zinc-plated	M6x16 Bolt Zinc-plated
M6 T Nut Tic-vel plated	M12-M6 Hole Reducer Bolt Tic-vel plated	M6 T Nut Tic-vel plated	M14-M8 Hole Reducer Bolt Tic-vel plated	M6 T Nut Tic-vel plated

Description	L1 (mm)	L2 (mm)	R (mm)	Fastening Set	Mass (g)	Part No.
Joint-Type A-3030	30	30	22.5	2xFO	181	8.32.3030A
Joint-Type A-3030-RH					211	8.32.3030A.RH
Joint-Type A-4040	40	40	30	2xFX	388	8.32.4040A
Joint-Type A-4040-RH					447	8.32.4040A.RH
Joint-Type A-4545	45	45	33.5	2xFX	530	8.32.4545A New!
Joint-Type A-4545-RH					587	8.32.4545A.RH New!
Joint-Type B-3030	30	30	22.5	1xFS+1xFO	167	8.32.3030B
Joint-Type B-3030-RH					206	8.32.3030B.RH
Joint-Type B-4040	40	40	30	1xFU+1xFX	366	8.32.4040B
Joint-Type B-4040-RH					437	8.32.4040B.RH
Joint-Type B-4545	45	45	33.5	1xFX+1xGO	510	8.32.4545B New!
Joint-Type B-4545-RH					577	8.32.4545B.RH New!



Additional Accessories



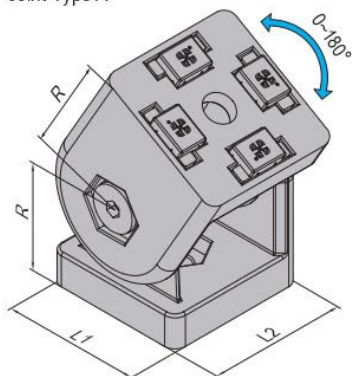
Joint

To connect movable profiles.

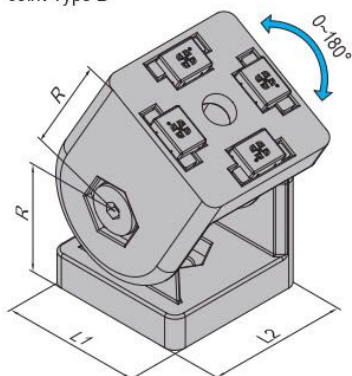
Material: zinc alloy



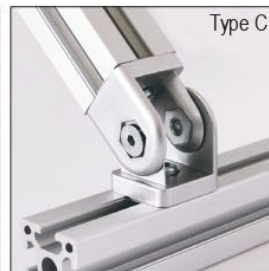
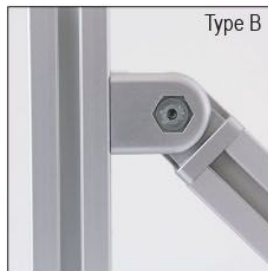
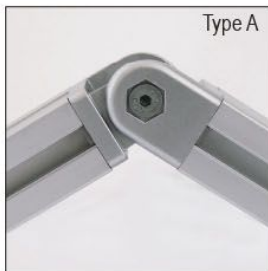
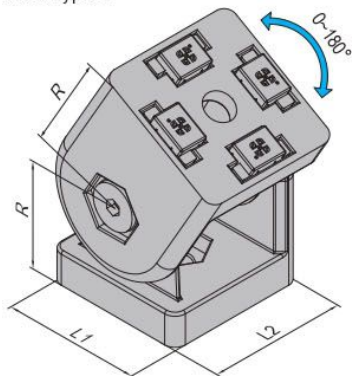
Joint-Type A



Joint-Type B



Joint-Type C



Note: Ratchet handle (part number RH) is an optional accessory for all three connection types-type A, B and C.

FS	Fastening Set	FO	Fastening Set	FU	Fastening Set	FX	Fastening Set	GO	Fastening Set
	M8x10 Bolt Zinc plated		M6x16 Bolt Zinc plated		M8x12 Bolt Zinc plated		M8x20 Bolt Zinc plated		M8x16 Bolt Zinc plated
	M8 T Nut Zinc plated		M12-M6 Hole Reducer Bolt Zinc plated		M8 T Nut Zinc plated		M14-M8 Hole Reducer Bolt Zinc plated		M8 T Nut Zinc plated

Description	L1 (mm)	L2 (mm)	R (mm)	Fastening Set	Mass (g)	Part No.
Joint-Type C-3030	30	30	22.5	1xFS+1xFO	167	8.32.3030C
Joint-Type C-3030-RH					206	8.32.3030C.RH
Joint-Type C-4040	40	40	30	1xFU+1xFX	366	8.32.4040C
Joint-Type C-4040-RH					437	8.32.4040C.RH
Joint-Type C-4545	45	45	33.5	1xFX+1xGO	510	8.32.4545C New!
Joint-Type C-4545-RH					577	8.32.4545C.RH New!

