

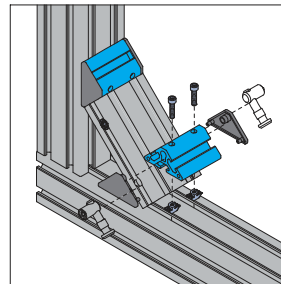
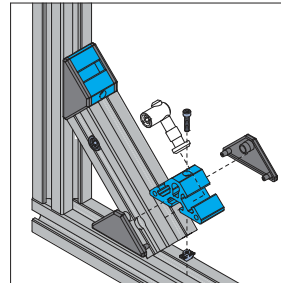
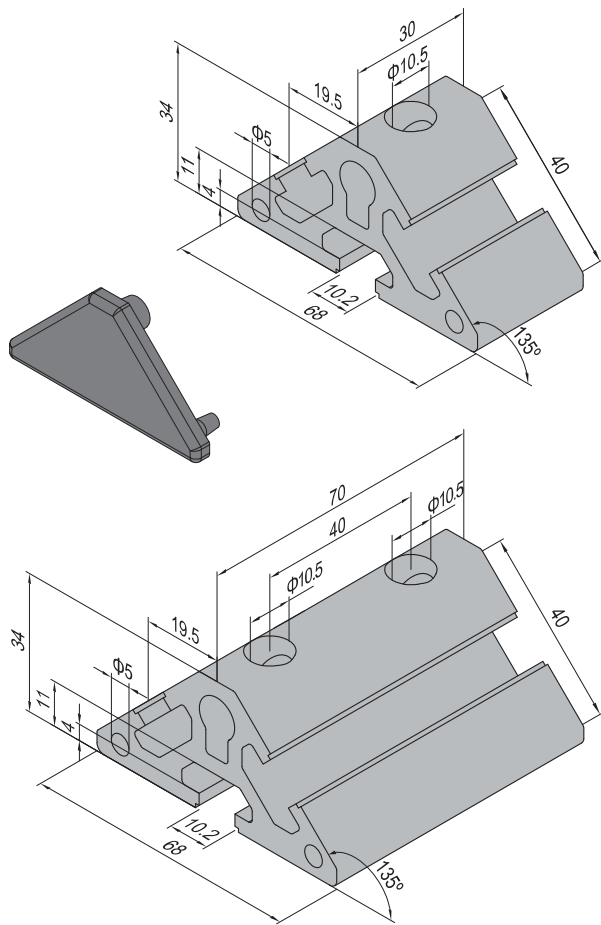
Additional Accessories





When the profile frame is with big span and there is slight bending caused by self load, the frame joint shall be used with special connectors for cross connection to enhance the stability of the frame.

Material: aluminium, anodized (cutting end not anodized).

End cap: black ABS



Description	Fastening Set	End Cap	Mass (g)	Part No.
PG40-4040	1xCB	2	95	8.41.4040
PG40-4080	2xCB		192	8.41.4080

CB Fastening Set	
	M6x25 Bolt zinc plated
	M6 T Nut nickel plated

Note: Anchor Connector to be ordered separately refer to P. 3-03 for more detail.

