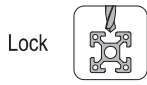
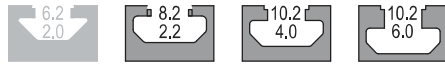


Door and Window Elements

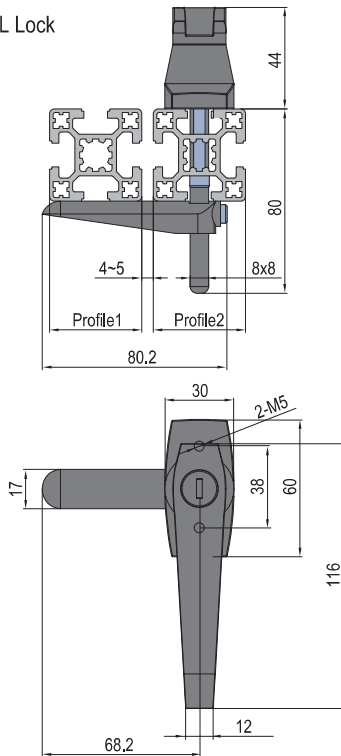


Lock

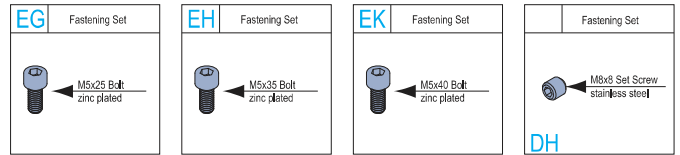
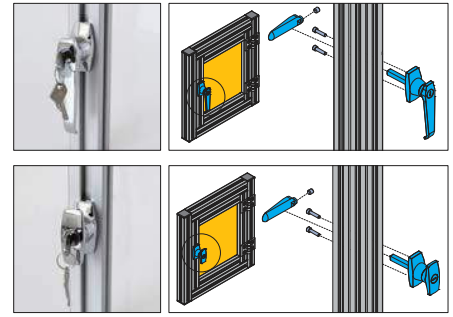
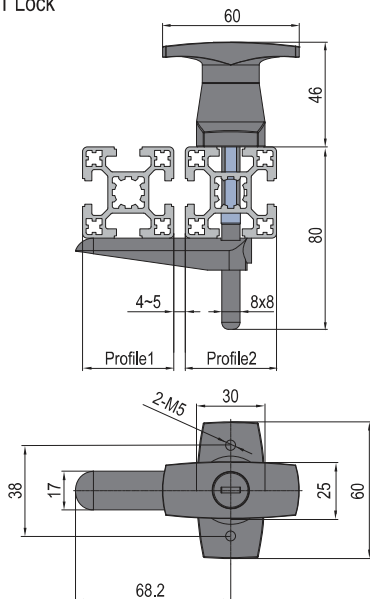
Material and Color: zinc alloy, polish finish



L Lock



T Lock



Description	Profile 1	Profile 2	Fastening Set	Mass (g)	Part No.
L Lock-3030	PG30	PG30	DH+2xEG	290	7.32.30.30
L Lock-4030	PG40	PG30			7.32.40.30
L Lock-4530	PG45	PG30			7.32.45.30
L Lock-4040	PG40	PG40	DH+2xEH	294	7.32.40.40
L Lock-4540	PG45	PG40			7.32.45.40
L Lock-5040	PG50	PG40			7.32.50.40 New!
L Lock-4545	PG45	PG45	DH+2xEK	296	7.32.45.45
L Lock-5045	PG50	PG45			7.32.50.45 New!
L Lock-5050	PG50	PG50			7.32.50.50 New!
T Lock-3030	PG30	PG30	DH+2xEG	270	7.33.30.30
T Lock-4030	PG40	PG30			7.33.40.30
T Lock-4530	PG45	PG30			7.33.45.30
T Lock-4040	PG40	PG40	DH+2xEH	274	7.33.40.40
T Lock-4540	PG45	PG40			7.33.45.40
T Lock-5040	PG50	PG40			7.33.50.40 New!
T Lock-4545	PG45	PG45	DH+2xEK	276	7.33.45.45
T Lock-5045	PG50	PG45			7.33.50.45 New!
T Lock-5050	PG50	PG50			7.33.50.50 New!



Modular Assembly System

MAS

Machine Guard System

MGS

Stair and Platform System

SPS

Tubular Framing System

TFS