

Connecting Elements

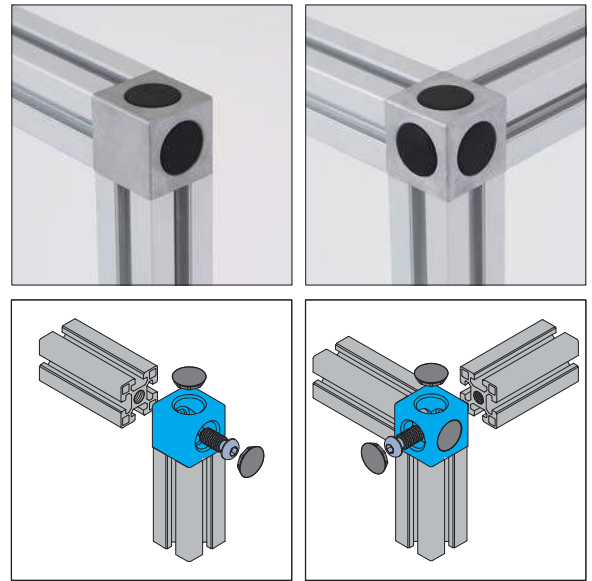
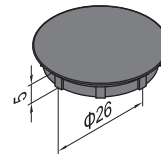
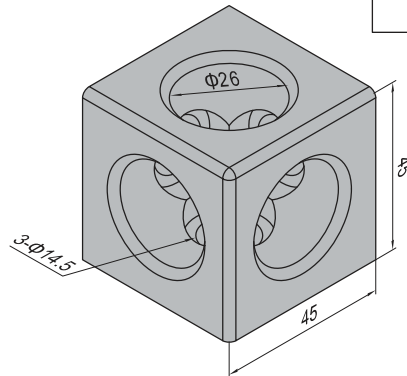
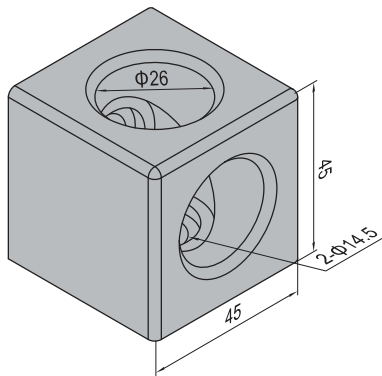


Material: Connector-diecast aluminum Cap-black ABS



Cubic Connector-4545-2

Cubic Connector-4545-3



Description	Fastening Set	Cap (pcs)	Mass (g)	Part No.
Cubic Connector-4545-2 (pcs)		2	135	3.91.4545.02
Cubic Connector-4545-2 (set)	2x(M14x25)		201	3.91.4545.02.ST
Cubic Connector-4545-3 (pcs)		3	135	3.91.4545.03
Cubic Connector-4545-3 (set)	3x(M14x25)		234	3.91.4545.03.ST

Modular Assembly System

MAS

Machine Guard System

MGS

Stair and Platform System

SPS

Tubular Framing System

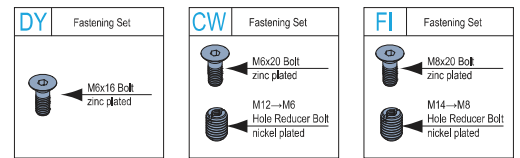
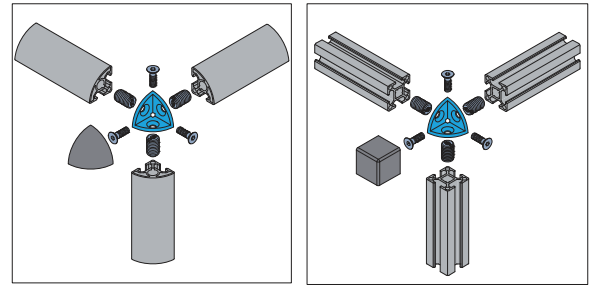
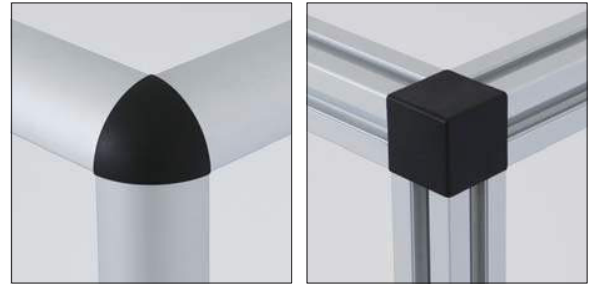
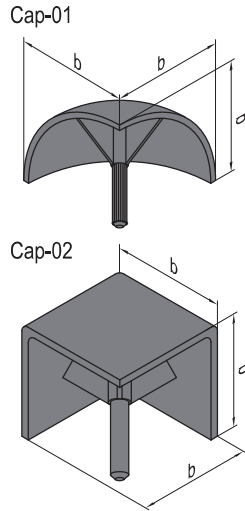
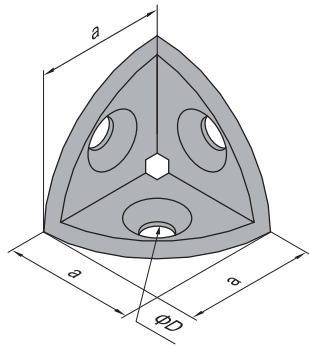
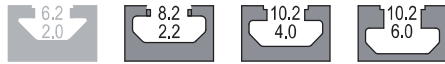
TFS



Connecting Elements



Material: Connector-diecast zinc Cap-black ABS



Description	a	b	D	Fastening Set	Cap (pcs)	Mass (g)	Part No.
2020-01 (pcs)	18.5	20	6.5		1	11	3.92.2020.01 <i>New!</i>
2020-01 (set)				3xDY		23	3.92.2020.01.ST <i>New!</i>
2020-02 (pcs)						12	3.92.2020.02 <i>New!</i>
2020-02 (set)				3xDY		24	3.92.2020.02.ST <i>New!</i>
3030-01 (pcs)	28	30	6.5		1	35	3.92.3030.01
3030-01 (set)				3xCW		105	3.92.3030.01.ST
3030-02 (pcs)						38	3.92.3030.02
3030-02 (set)				3xCW		108	3.92.3030.02.ST
4040-01 (pcs)	38	40	8.5		1	87	3.92.4040.01
4040-01 (set)				3xFI		159	3.92.4040.01.ST
4040-02 (pcs)						92	3.92.4040.02
4040-02 (set)				3xFI		164	3.92.4040.02.ST
4545-01 (pcs)	42	45	8.5		1	114	3.92.4545.01
4545-01 (set)				3xFI		187	3.92.4545.01.ST
4545-02 (pcs)						123	3.92.4545.02
4545-02 (set)				3xFI		196	3.92.4545.02.ST

