

Connecting Elements

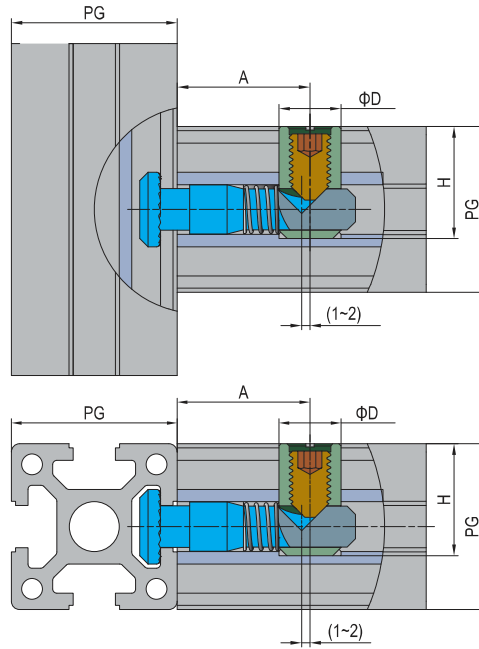
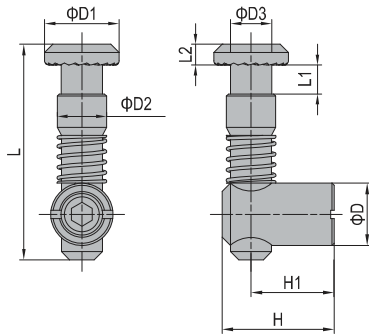
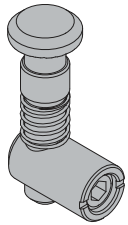
Anchor Connector



Material: zinc plated steel



Universal



Description	A	D	H	H1	L1	L2	D1	D2	D3	L	Mass (g/unit)	Part No.
PG30-Universal	30	12	21	15	7	4	14	9.9	8	45	38	3.11.30.01
PG40-Universal	32	15	27	20	7	5	18	11.9	8	52	58	3.11.40.01
PG45-Universal	30	15	29.5	22.5	7	5	18	11.9	10	52	60	3.11.45.01



Connecting Elements

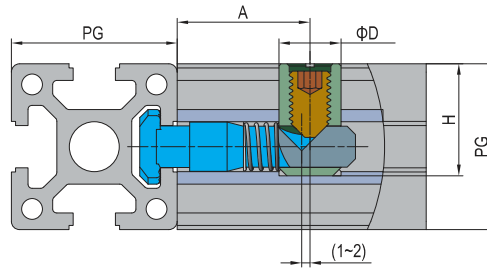
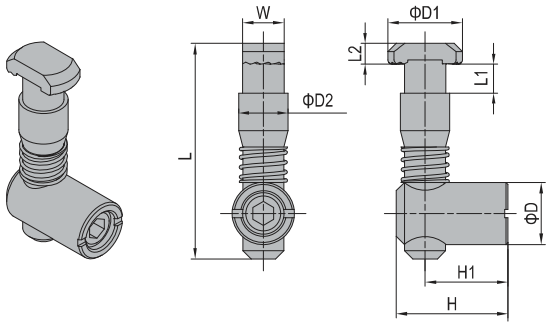
Anchor Connector



Material: zinc plated steel

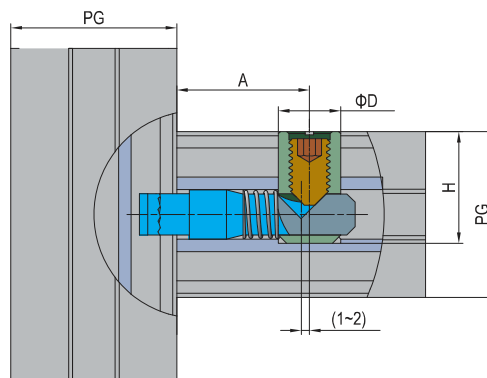
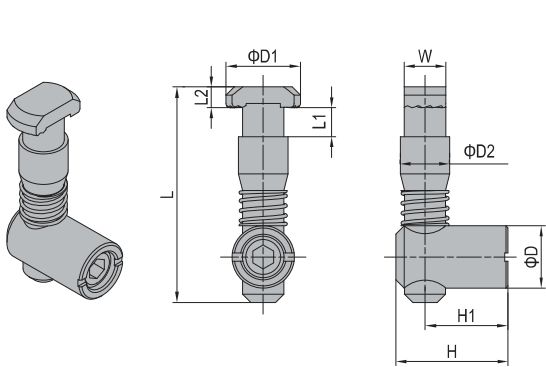


Standard (Model P)



Description	A	D	H	H1	L1	L2	D1	D2	W	L	Mass (g/unit)	Part No.
PG30-Standard (Model P)	30	12	21	15	7	4	14	9.9	8	45	38	3.11.30.02
PG40-Standard (Model P)	32	15	27	20	7	5	18	11.9	10	52	58	3.11.40.02
PG45-Standard (Model P)	30	15	29.5	22.5	7	5	18	11.9	10	52	60	3.11.45.02

Standard (Model C)

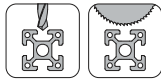


Description	A	D	H	H1	L1	L2	D1	D2	W	L	Mass (g/unit)	Part No.
PG30-Standard (Model C)	30	12	21	15	7	4	14	9.9	8	45	38	3.11.30.03
PG40-Standard (Model C)	32	15	27	20	7	5	18	11.9	10	52	58	3.11.40.03
PG45-Standard (Model C)	30	15	29.5	22.5	7	5	18	11.9	10	52	60	3.11.45.03



Connecting Elements

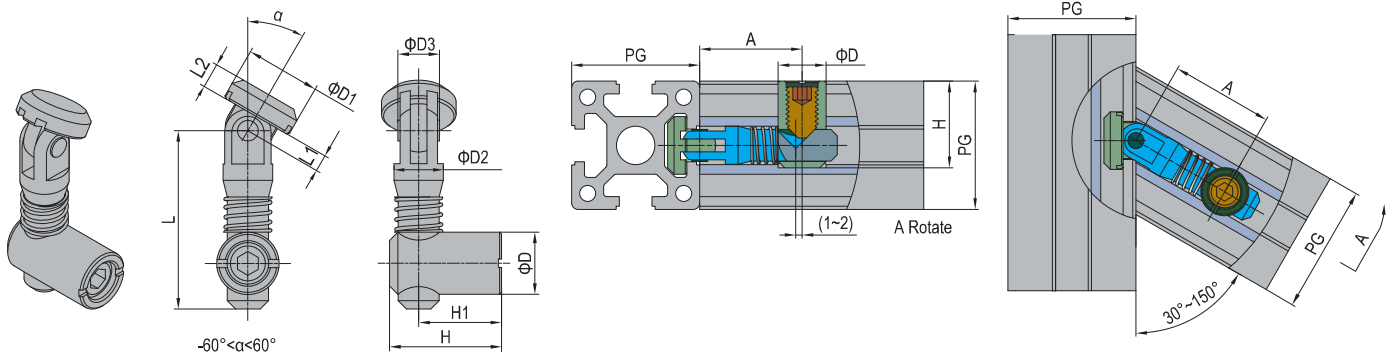
Anchor Connector



Material: zinc plated steel

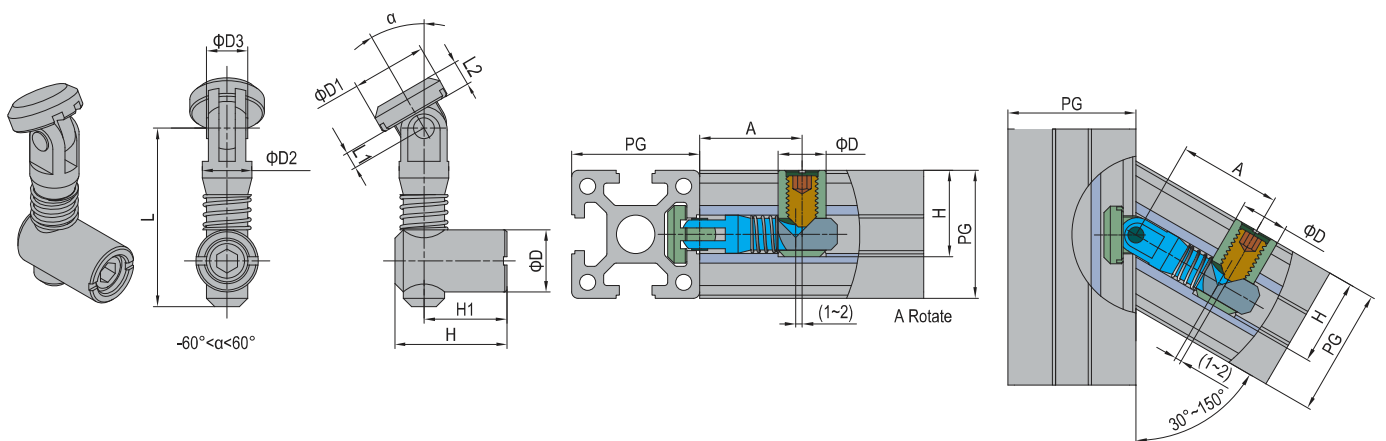


Oblique (Model P)



Description	A	D	H	H1	L1	L2	D1	D2	D3	L	Mass (g/unit)	Part No.
PG30-Oblique (Model P)	30	12	21	15	2.2	5	14	9.9	8	38.8	55	3.11.30.04
PG40-Oblique (Model P)	32	15	27	20	4	6	18	11.9	10	43	72	3.11.40.04
PG45-Oblique (Model P)	32	15	29.5	22.5	6	5	18	11.9	10	43	78	3.11.45.04

Oblique (Model C)

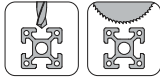


Description	A	D	H	H1	L1	L2	D1	D2	D3	L	Mass (g/unit)	Part No.
PG30-Oblique (Model C)	30	12	21	15	2.2	5	14	9.9	8	38.8	55	3.11.30.05
PG40-Oblique (Model C)	32	15	27	20	4	6	18	11.9	10	43	72	3.11.40.05
PG45-Oblique (Model C)	32	15	29.5	22.5	6	5	18	11.9	10	43	78	3.11.45.05



Connecting Elements

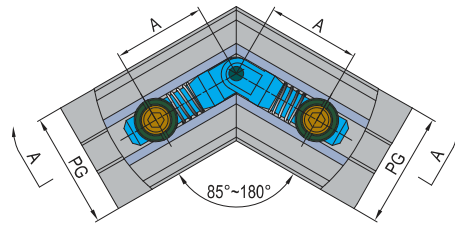
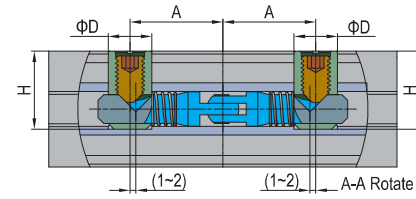
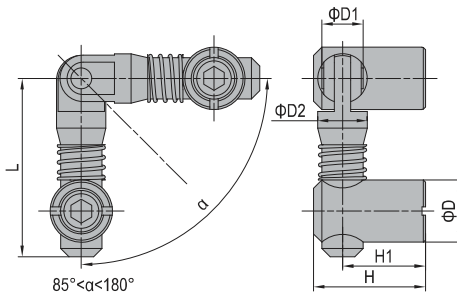
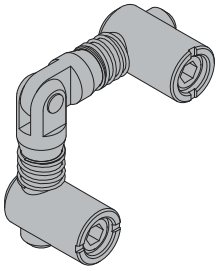
Anchor Connector



Material: zinc plated steel

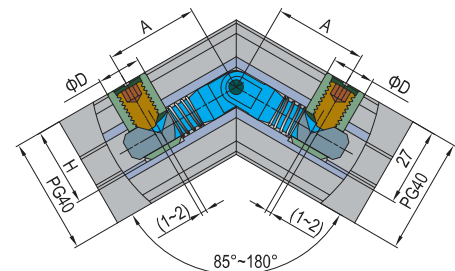
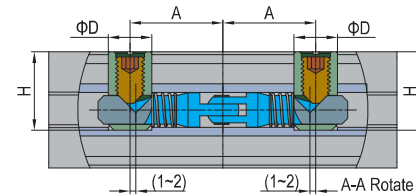
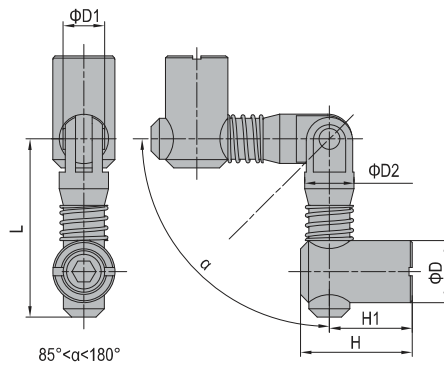
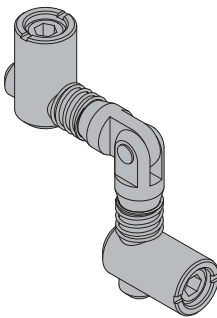


Miter (Model P)



Description	A	D	H	H1	D1	D2	L	Mass (g/unit)	Part No.
PG30-Miter (Model P)	30	12	21	15	8	9.9	38.8	63	3.11.30.06
PG40-Miter (Model P)	32	15	27	20	10	11.9	43	97	3.11.40.06
PG45-Miter (Model P)	32	15	29.5	22.5	10	11.9	43	100	3.11.45.06

Miter (Model C)



Description	A	D	H	H1	D1	D2	L	Mass (g/unit)	Part No.
PG30-Miter (Model C)	30	12	21	15	8	9.9	38.8	63	3.11.30.07
PG40-Miter (Model C)	32	15	27	20	10	11.9	43	97	3.11.40.07
PG45-Miter (Model C)	32	15	29.5	22.5	10	11.9	43	100	3.11.45.07

